



**FORMULA 18,5 - 22 - 30**  
**GENESIS 18,5 - 22**

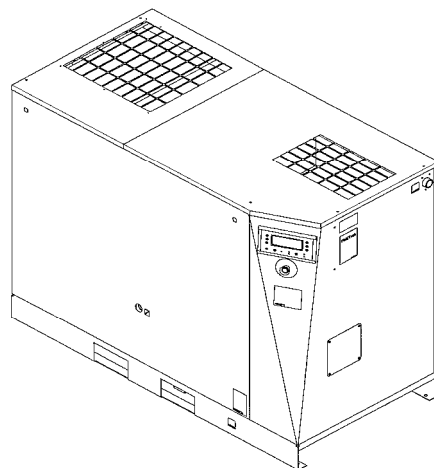
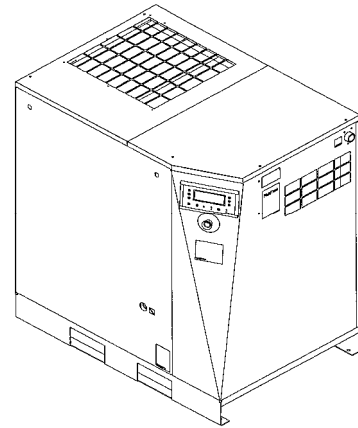
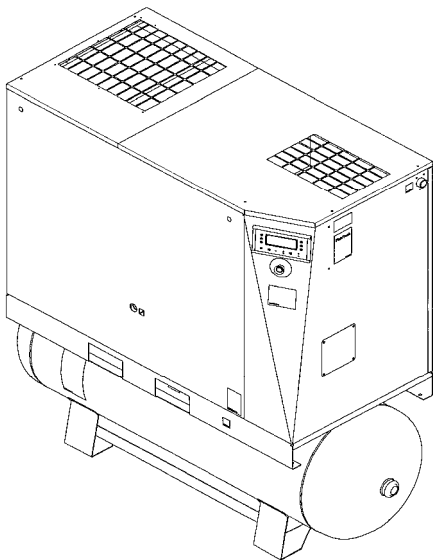
CATALOGO RICAMBI  
SPARES PARTS LIST  
CATALOGUE PIÈCES DÉTACHÉES  
ERSATZTEILKATALOG  
CATÁLOGO DE PIEZAS DE RECAMBIO

Codice / Code / Code / Kode / Código
<b>2200780007 00</b>
Edizione / Edition / Edition / Ausgabe / Edición
<b>08/2010</b>

*Con kit di manutenzione  
With service kit  
Avec kit a maintenance  
Mit Wartungsaufbausatz  
Con kit de mantenimiento*

**HP 25 - 30 - 40**  
**kW 18,5 - 22 - 30**

COMPRESSORI INDUSTRIALI  
INDUSTRIAL COMPRESSORS  
COMPRESSEURS INDUSTRIELS  
INDUSTRIELLE KOMPRESSOREN  
COMPRESOR INDUSTRIAL

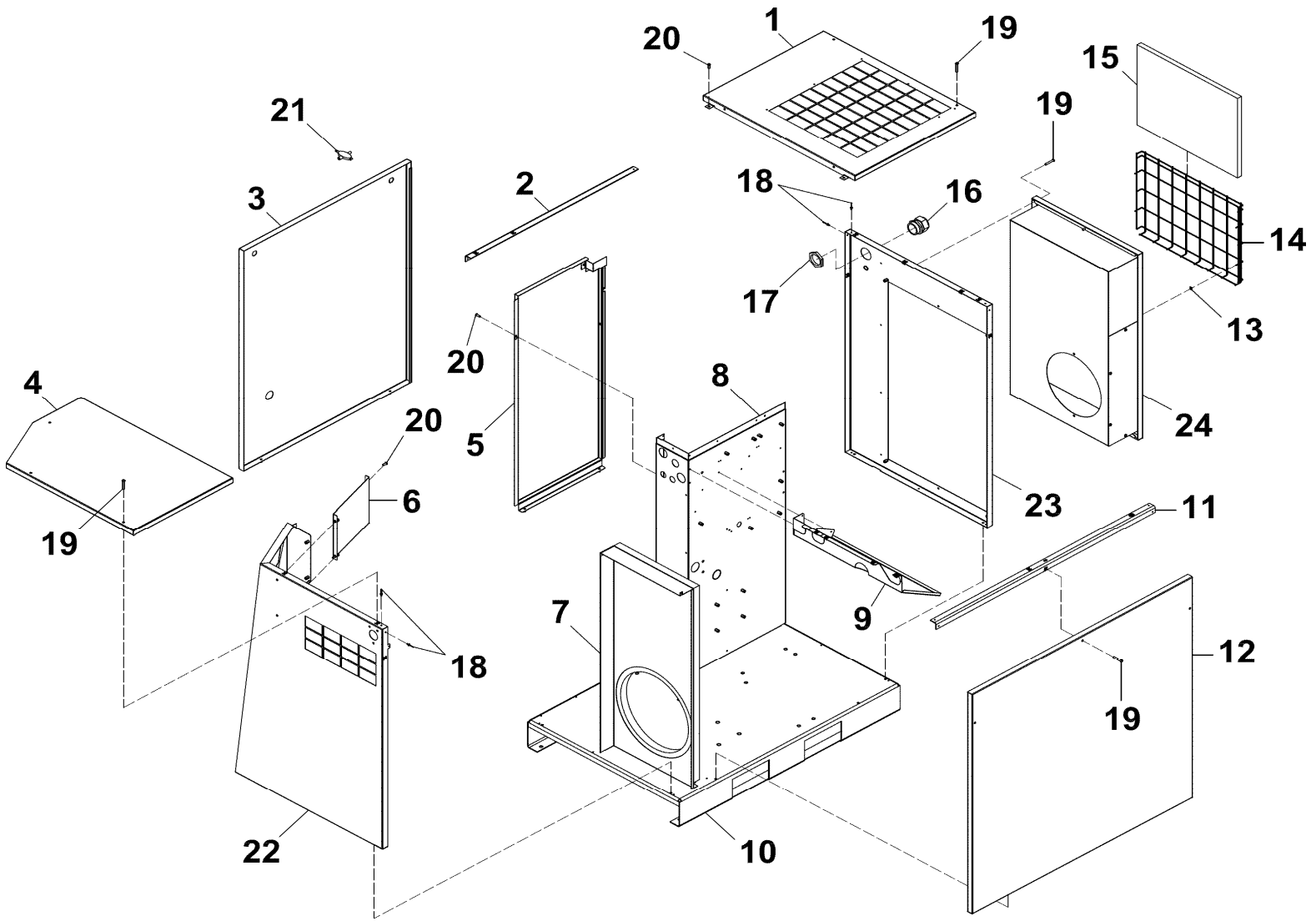






**INDICE - INDEX - TABLE DES MATIERES - INHALTSVERZEICHNIS - INDICE**

N° TAV. DWG. NR. N° TABLE Nr. GRUPPENSATZ N. TAB.	<b>INDICE - INDEX - TABLE DES MATIERES - INHALTSVERZEICHNIS - INDICE</b>				
	<b>DESCRIZIONE</b>	<b>DESCRIPTION</b>	<b>DÉSIGNATION</b>	<b>BESCHREIBUNG</b>	<b>DESIGNACIÓN</b>
<b>1</b>	CARENATURA - PANNELLI FONO ASSORBENTI	CASING - SOUND DAMPING PANELS	CARENAGE - PANNEAUX INSONORISANTS	STANDER FÜR DIE VERKLEIDUNG AKUSTISCHE PLATTEN	CARENADO - PANELES FONOAHSORBENTES
<b>2</b>	CARENATURA - PANNELLI FONO ASSORBENTI	CASING - SOUND DAMPING PANELS	CARENAGE - PANNEAUX INSONORISANTS	STANDER FÜR DIE VERKLEIDUNG AKUSTISCHE PLATTEN	CARENADO - PANELES FONOAHSORBENTES
<b>3</b>	CARENATURA - PANNELLI FONO ASSORBENTI	CASING - SOUND DAMPING PANELS	CARENAGE - PANNEAUX INSONORISANTS	STANDER FÜR DIE VERKLEIDUNG AKUSTISCHE PLATTEN	CARENADO - PANELES FONOAHSORBENTES
<b>4</b>	CARENATURA - PANNELLI FONO ASSORBENTI	CASING - SOUND DAMPING PANELS	CARENAGE - PANNEAUX INSONORISANTS	STANDER FÜR DIE VERKLEIDUNG AKUSTISCHE PLATTEN	CARENADO - PANELES FONOAHSORBENTES
<b>5</b>	REGOLATORE ASPIRAZIONE ARIA	AIR INTAKE REGULATOR	RÉGULATEUR D'ENTRÉE D'AIR	LUFTANSAUGREGLER	REGULADOR DE ASPIRACIÓN DE AIRE
<b>6</b>	SERBATOIO - SEPARATORE ARIA/OLIO	AIR/OIL TANK - SEPARATOR	RÉSERVOIR - SEPARATEUR AIR/HUILE	LUFT/ÖL - BEHÄLTER - ABSCHIEDER	DEPÓSITO DE ACEITE - SEPARADOR AIRE/ACEITE
<b>7</b>	RAFFREDDATORE ARIA-OLIO	AIR-OIL COOLER	REFROIDISSEUR AIR-HUILE	LUFT-ÖL KÜHLER	REFRIGERADOR AIRE-ACEITE
<b>8</b>	FILTRO ARIA - COMPRESSORE A VITE	AIR FILTER - SCREW COMPRESSOR	FILTRE D'AIR - COMPRESSEUR A VIS	LUFTFILTER - SCHRAUBENKOMPRESSOR	FILTRO DE AIRE - COMPRESOR DE TORNILLO
<b>9</b>	STAFFA PORTA MOTORE ELETTRICO COMPRESSORE A VITE - TRASMISSIONE -	SCREW COMPRESSOR AND ELECTRIC MOTOR METAL SUPPORT - TRANSMISSION -	ETRIER SUPPORTE MOTEUR ELECTRIQUE COMPRESSEUR A VIS - TRANSMISSION -	SCHRAUBENKOMPRESSOR-UND ELETROMOTORSTÜZE RIEMENTRIEB -	ESTRIBO SOPORTE MOTOR ELÉCTRICO COMPRESOR DE TORNILLO - TRANSMISIÓN POR CORREA -
<b>10</b>	ESSICCATORE D'ARIA - TUBAZIONI	AIR DRYER - PIPELINES	SECHEUR D'AIR CANALISATIONS	LUFTTROCKNER - ROHRLEITUNGEN	SECADOR DE AIRE - CAÑERÍAS
<b>11</b>	ESSICCAORE D'ARIA - TUBAZIONI - SERBATOIO ARIA	AIR DRYER - PIPELINES - AIR TANK	SECHEUR D'AIR - CANALISATION - RÉSERVOIR D'AIR	LUFTTROCKNER - ROHRLEITUNGEN - LUFTBEHÄLTER	SECADOR DE AIRE - CAÑERÍAS - DEPÓSITO DE AIRE
<b>12</b>	SENSORE DI TEMPERATURA - SENSORE DI PRESSIONE	TEMPERATURE SENSOR - PRESSURE SENSOR	SONDE THERMIQUE - CAPTEUR DE PRESSION	TEMPERATUR SENSOR - DRUCKSENSOR	SENSOR DE TEMPERATURA - SENSOR DE PRESIÓN
<b>13</b>	SENSORE DI TEMPERATURA - SENSORE DI PRESSIONE	TEMPERATURE SENSOR - PRESSURE SENSOR	SONDE THERMIQUE - CAPTEUR DE PRESSION	TEMPERATUR SENSOR - DRUCKSENSOR	SENSOR DE TEMPERATURA - SENSOR DE PRESIÓN
<b>14</b>	ESSICCATORE D'ARIA	AIR DRYER	SECHEUR D'AIR	LUFTTROCKNER	SECADOR DE AIRE
<b>15</b>	TARGHETTE	LABELS	PLAQUE	SCHILD	PLACA
<b>16</b>	KIT DI MANUTENZIONE	SERVICE KITS	KITS DE MAINTENANCE	AUFBAUSATZ DES WARTUNG	KIT DE MANTENIMIENTO

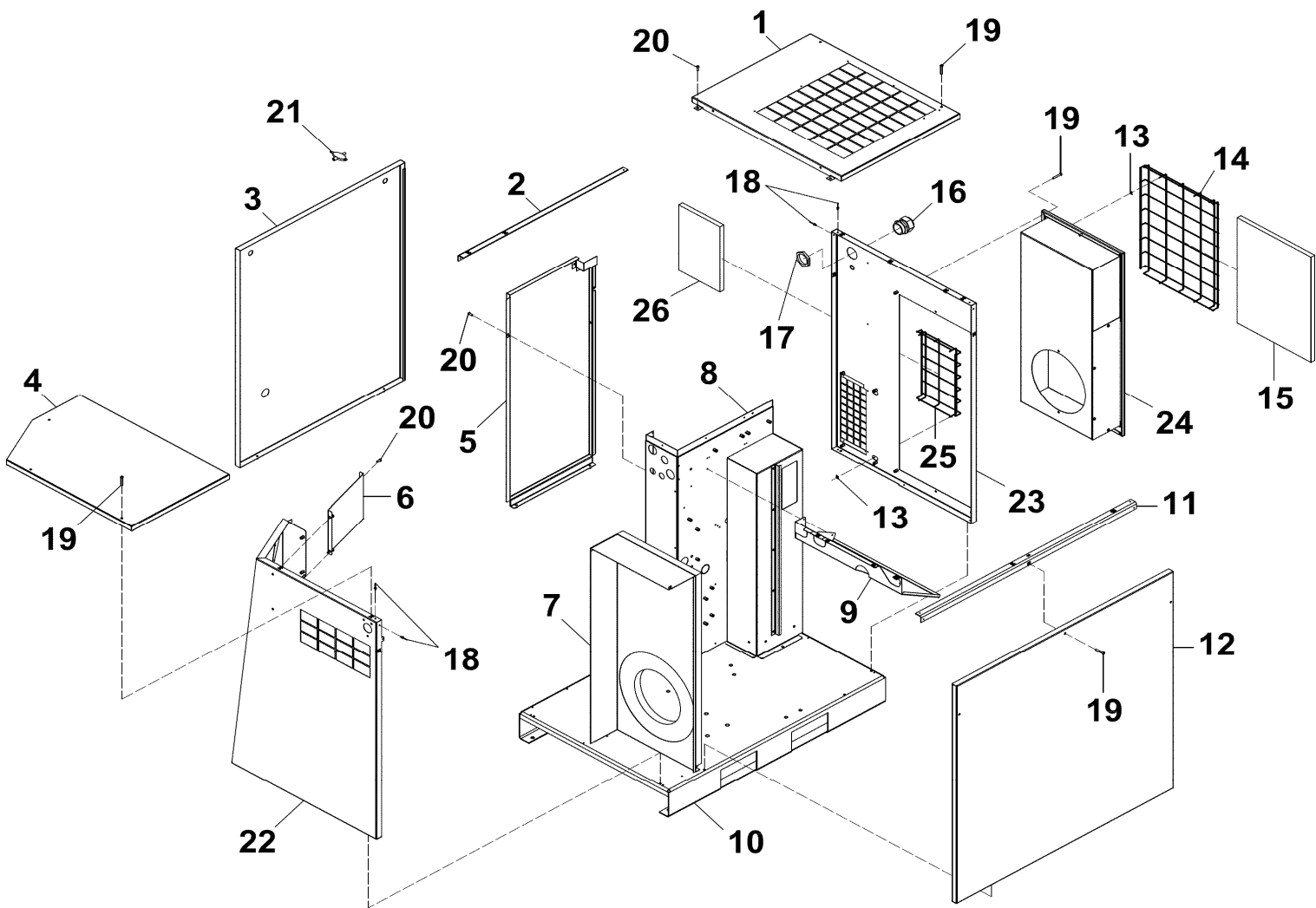


**TAB. 1**

Q.tà - Qty - Qté - Anz. - Cant.

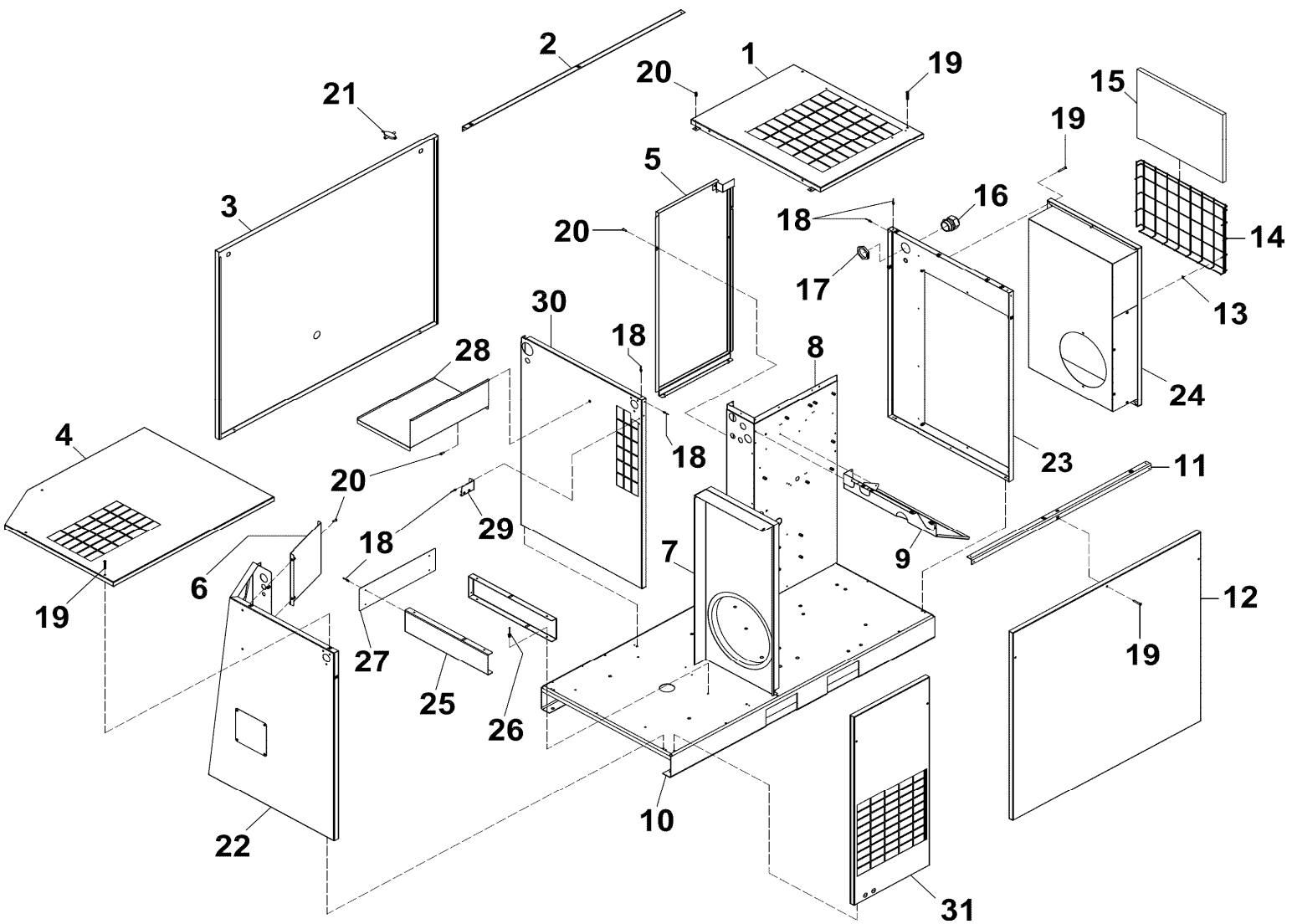
**Carenatura - Pannelli fono assorbenti Casing - Sound-damping panels**  
**Carenage-panneaux insonorisants Stander für die Verkleidung akustische**  
**Platten Carenado - Paneles fonoabsorbentes**

Rif. N. Ref. No Nr. Réf. Bild Nr. Rif. N.	N. ordinaz. Part. num. Nr. Pièce Teil num. Codigo	Nota-Note-Note- Anm.-Nota	HP 25 / kW 18,5						HP 30 / kW 22						HP 40 / kW 30						DESCRIZIONE - DESCRIPTION - DESIGNATION - BESCHREIBUNG - DESIGNACION
			4152 0066 00	4152 0066 01	4152 0066 02	4152 0067 10	4152 0067 11	4152 0067 12	4152 0066 09	4152 0066 10	4152 0066 11	4152 0067 19	4152 0067 20	4152 0067 21	4152 0066 18	4152 0066 19	4152 0066 20	4152 0067 28	4152 0067 29	4152 0067 30	
1	6275 6128 00		1	1	1	1	1	1	1	1	1	1	1	1	1	1	1	1	1	PANEL	
2	2202 9511 00		1	1	1	1	1	1	1	1	1	1	1	1	1	1	1	1	1	ANGULAR	
3	2202 9506 02		1	1	1	1	1	1	1	1	1	1	1	1	1	1	1	1	1	PANEL	
4	2202 9508 02		1	1	1	1	1	1	1	1	1	1	1	1	1	1	1	1	1	PANEL	
5	2202 9524 00		1	1	1	1	1	1	1	1	1	1	1	1	1	1	1	1	1	PANEL	
6	2202 9629 00		1	1	1	1	1	1	1	1	1	1	1	1	1	1	1	1	1	PANEL	
7	6275 6143 10		1	1	1	1	1	1	1	1	1	1	1	1	1	1	1	1	1	PANEL	
7	6275 6144 10																			PANEL	
8	2202 9542 00		1	1	1	1	1	1	1	1	1	1	1	1	1	1	1	1	1	PANEL	
9	2202 9509 00		1	1	1	1	1	1	1	1	1	1	1	1	1	1	1	1	1	SUPPORT	
10	2202 9502 16		1	1	1	1	1	1	1	1	1	1	1	1	1	1	1	1	1	CRANKCASE	
11	2202 9510 00		1	1	1	1	1	1	1	1	1	1	1	1	1	1	1	1	1	ANGULAR	
12	2202 9504 02		1	1	1	1	1	1	1	1	1	1	1	1	1	1	1	1	1	PANEL	
13	2200 7302 47		4	4	4	4	4	4	4	4	4	4	4	4	4	4	4	4	4	PLAQUE	
14	2202 2512 09		1	1	1	1	1	1	1	1	1	1	1	1	1	1	1	1	1	GRATING	
15	2202 2512 10		1	1	1	1	1	1	1	1	1	1	1	1	1	1	1	1	1	FILTER ELEMENT	
16	0698 5142 06		1	1	1	1	1	1	1	1	1	1	1	1	1	1	1	1	1	CABLE GLAND	
16	0698 5140 76																			CABLE GLAND	
17	0697 9809 25		1	1	1	1	1	1	1	1	1	1	1	1	1	1	1	1	1	NUT	
18	0129 3270 33		32	32	32	32	32	32	32	32	32	32	32	32	32	32	32	32	32	BLIND RIVET	
19	2202 9021 00		12	12	12	12	12	12	12	12	12	12	12	12	12	12	12	12	12	SCREW	
20	0215 0003 91		8	8	8	8	8	8	8	8	8	8	8	8	8	8	8	8	8	SCREW	
21	6215 4359 00		1	1	1	1	1	1	1	1	1	1	1	1	1	1	1	1	1	KEY	
22	2202 9561 02		1	1	1	1	1	1	1	1	1	1	1	1	1	1	1	1	1	PANEL	
23	2202 9507 02		1	1	1	1	1	1	1	1	1	1	1	1	1	1	1	1	1	PANEL	
24	2202 9503 02		1	1	1	1	1	1	1	1	1	1	1	1	1	1	1	1	1	PANEL	

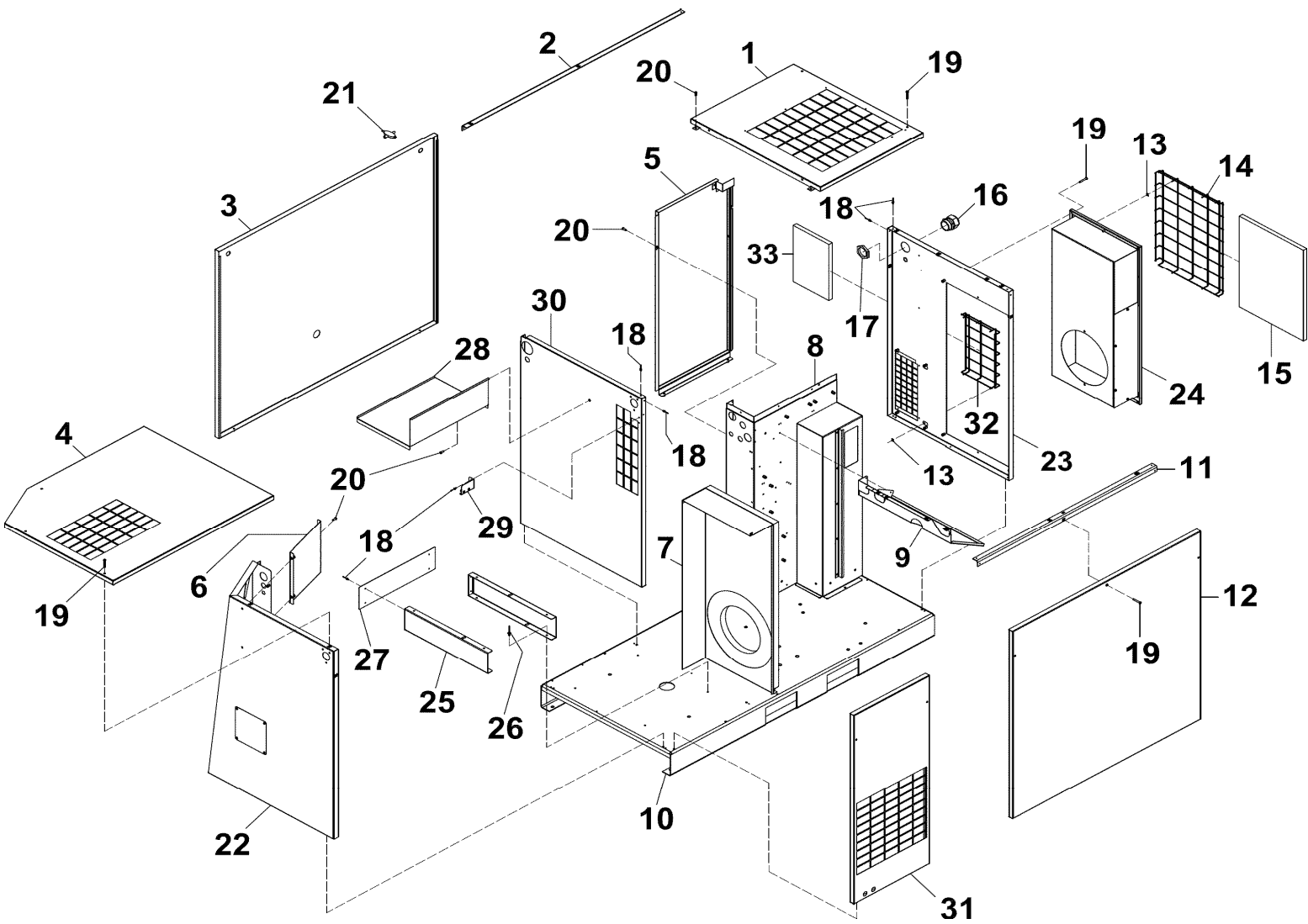




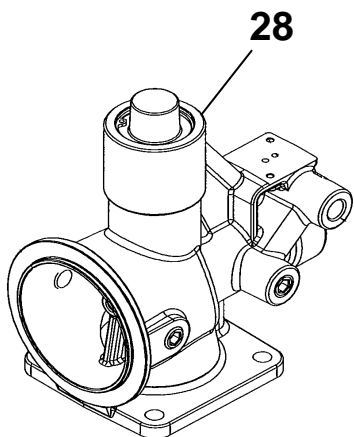
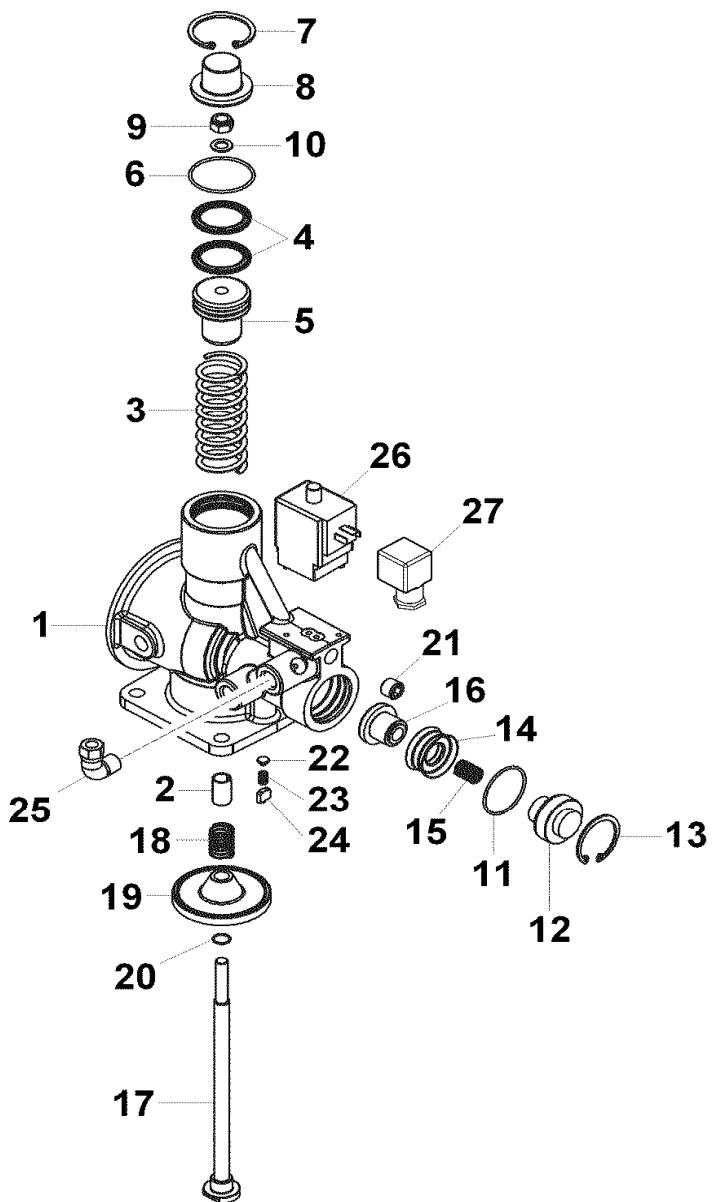












**TAB. 5**

Q.tà - Qty - Q.té - Anz. - Cant.

**Regolatore aspirazione aria Air intake regulator  
Régulateur d'entrée d'air Luftansaugregler  
Regulador de aspiración de aire**

HP 25 / kW 18,5

HP 30 / kW 22

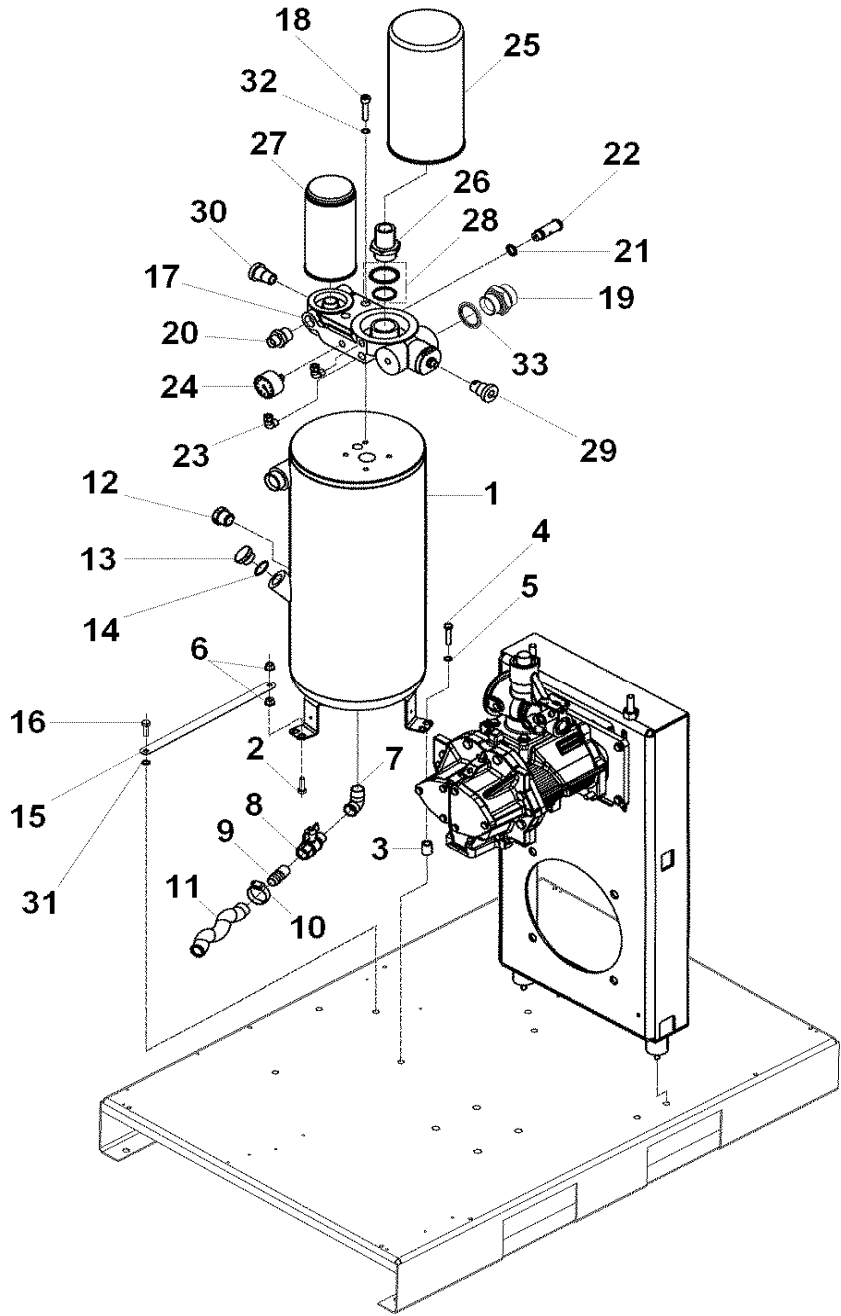
HP 40 / kW 30

Rif. N. Ref. No Nr. Ref. Bild Nr. Rif. N.	N. ordinaz. Part. num. Nr. Pièce Teil num. Codigo	Nota-Note-Note- Anm.-Nota	4152 0066 00	4152 0066 01	4152 0066 02	4152 0066 03	4152 0066 04	4152 0066 05	4152 0066 06	4152 0066 07	4152 0066 08	4152 0066 09	4152 0066 10	4152 0066 11	4152 0066 12	4152 0066 13	4152 0066 14	4152 0066 15	4152 0066 16	4152 0066 17	4152 0066 21	4152 0066 22	4152 0066 23	4152 0066 24	4152 0066 25	4152 0066 26	4152 0066 18	4152 0066 19	4152 0066 20	DESCRIZIONE - DESCRIPTION - DESIGNATION - BESCHREIBUNG - DESIGNACION	
1	1622 8786 00		1	1	1	1	1	1	1	1	1	1	1	1	1	1	1	1	1	1	1	1	1	1	1	1	1	1	1	1	BODY VALVE
2	0500 4510 29		1	1	1	1	1	1	1	1	1	1	1	1	1	1	1	1	1	1	1	1	1	1	1	1	1	1	1	1	BUSHING
3	1613 6800 01		1	1	1	1	1	1	1	1	1	1	1	1	1	1	1	1	1	1	1	1	1	1	1	1	1	1	1	1	SPRING
4	1613 6969 01		1	1	1	1	1	1	1	1	1	1	1	1	1	1	1	1	1	1	1	1	1	1	1	1	1	1	1	1	O-RING
5	1613 7031 01		1	1	1	1	1	1	1	1	1	1	1	1	1	1	1	1	1	1	1	1	1	1	1	1	1	1	1	1	PISTON
6	0663 2105 46		1	1	1	1	1	1	1	1	1	1	1	1	1	1	1	1	1	1	1	1	1	1	1	1	1	1	1	1	O-RING
7	0335 2140 00		1	1	1	1	1	1	1	1	1	1	1	1	1	1	1	1	1	1	1	1	1	1	1	1	1	1	1	1	STOP RING
8	1613 6966 00		1	1	1	1	1	1	1	1	1	1	1	1	1	1	1	1	1	1	1	1	1	1	1	1	1	1	1	1	COVER
9	0266 1110 02		1	1	1	1	1	1	1	1	1	1	1	1	1	1	1	1	1	1	1	1	1	1	1	1	1	1	1	1	NUT
10	0301 2135 01		1	1	1	1	1	1	1	1	1	1	1	1	1	1	1	1	1	1	1	1	1	1	1	1	1	1	1	1	O-RING
11	0663 7132 00		1	1	1	1	1	1	1	1	1	1	1	1	1	1	1	1	1	1	1	1	1	1	1	1	1	1	1	1	O-RING
12	1613 6794 00		1	1	1	1	1	1	1	1	1	1	1	1	1	1	1	1	1	1	1	1	1	1	1	1	1	1	1	1	COVER
13	0335 2136 00		1	1	1	1	1	1	1	1	1	1	1	1	1	1	1	1	1	1	1	1	1	1	1	1	1	1	1	1	STOP RING
14	1613 6783 01		1	1	1	1	1	1	1	1	1	1	1	1	1	1	1	1	1	1	1	1	1	1	1	1	1	1	1	1	PISTON
15	1622 5122 01		1	1	1	1	1	1	1	1	1	1	1	1	1	1	1	1	1	1	1	1	1	1	1	1	1	1	1	1	SPRING
16	1613 6796 00		1	1	1	1	1	1	1	1	1	1	1	1	1	1	1	1	1	1	1	1	1	1	1	1	1	1	1	1	PISTON
17	1613 7032 02		1	1	1	1	1	1	1	1	1	1	1	1	1	1	1	1	1	1	1	1	1	1	1	1	1	1	1	1	ROD
18	1613 6802 01		1	1	1	1	1	1	1	1	1	1	1	1	1	1	1	1	1	1	1	1	1	1	1	1	1	1	1	1	SPRING
19	1613 7699 02		1	1	1	1	1	1	1	1	1	1	1	1	1	1	1	1	1	1	1	1	1	1	1	1	1	1	1	1	VALVE
20	0663 2101 85		1	1	1	1	1	1	1	1	1	1	1	1	1	1	1	1	1	1	1	1	1	1	1	1	1	1	1	1	O-RING
21	0686 3101 18		1	1	1	1	1	1	1	1	1	1	1	1	1	1	1	1	1	1	1	1	1	1	1	1	1	1	1	1	PLUG
22	1622 5143 00		1	1	1	1	1	1	1	1	1	1	1	1	1	1	1	1	1	1	1	1	1	1	1	1	1	1	1	1	PLUG
23	1622 5144 00		1	1	1	1	1	1	1	1	1	1	1	1	1	1	1	1	1	1	1	1	1	1	1	1	1	1	1	1	SPRING
24	1613 7573 00		1	1	1	1	1	1	1	1	1	1	1	1	1	1	1	1	1	1	1	1	1	1	1	1	1	1	1	1	PLUG
25	6211 9314 00		1	1	1	1	1	1	1	1	1	1	1	1	1	1	1	1	1	1	1	1	1	1	1	1	1	1	1	1	ELBOW UNION
26	2202 7298 01		1	1	1	1	1	1	1	1	1	1	1	1	1	1	1	1	1	1	1	1	1	1	1	1	1	1	1	1	SOLENOID VALVE
27	1088 0150 53		1	1	1	1	1	1	1	1	1	1	1	1	1	1	1	1	1	1	1	1	1	1	1	1	1	1	1	1	CONNECTOR
28	1622 8786 82		1	1	1	1	1	1	1	1	1	1	1	1	1	1	1	1	1	1	1	1	1	1	1	1	1	1	1	1	UNLOADING VALVE
-	2901 0002 01		1	1	1	1	1	1	1	1	1	1	1	1	1	1	1	1	1	1	1	1	1	1	1	1	1	1	1	1	KIT UNLOADING VALVE

TAB. 5			Q.tà - Qty - Q.té - Anz. - Cant.																								Regolatore aspirazione aria Air intake regulator Régulateur d'entrée d'air Luftansaugregler Regulador de aspiración de aire								
			HP 25 / kW 18,5								HP 30 / kW 22								HP 40 / kW 30																
Rif. N. Ref. No Nr. Ref. Bild Nr. Rif. N.	N. ordinaz. Part. num. Nr. Pièce Teil num. Codigo	Nota-Note-Note- Anm.-Nota	4152 0067 10	4152 0067 11	4152 0067 12	4152 0067 13	4152 0067 14	4152 0067 15	4152 0067 16	4152 0067 17	4152 0067 18	4152 0067 19	4152 0067 20	4152 0067 21	4152 0067 22	4152 0067 23	4152 0067 24	4152 0067 25	4152 0067 26	4152 0067 27	4152 0067 31	4152 0067 32	4152 0067 33	4152 0067 34	4152 0067 35	4152 0067 36	4152 0067 28	4152 0067 29	4152 0067 30	DESCRIZIONE - DESCRIPTION - DESIGNATION - BESCHREIBUNG - DESIGNACION					
1	1622 8786 00		1	1	1	1	1	1	1	1	1	1	1	1	1	1	1	1	1	1	1	1	1	1	1	1	1	1	1	1	1	1	BODY VALVE		
2	0500 4510 29		1	1	1	1	1	1	1	1	1	1	1	1	1	1	1	1	1	1	1	1	1	1	1	1	1	1	1	1	1	1	BUSHING		
3	1613 6800 01		1	1	1	1	1	1	1	1	1	1	1	1	1	1	1	1	1	1	1	1	1	1	1	1	1	1	1	1	1	1	SPRING		
4	1613 6969 01		1	1	1	1	1	1	1	1	1	1	1	1	1	1	1	1	1	1	1	1	1	1	1	1	1	1	1	1	1	1	O-RING		
5	1613 7031 01		1	1	1	1	1	1	1	1	1	1	1	1	1	1	1	1	1	1	1	1	1	1	1	1	1	1	1	1	1	1	PISTON		
6	0663 2105 46		1	1	1	1	1	1	1	1	1	1	1	1	1	1	1	1	1	1	1	1	1	1	1	1	1	1	1	1	1	1	O-RING		
7	0335 2140 00		1	1	1	1	1	1	1	1	1	1	1	1	1	1	1	1	1	1	1	1	1	1	1	1	1	1	1	1	1	1	STOP RING		
8	1613 6966 00		1	1	1	1	1	1	1	1	1	1	1	1	1	1	1	1	1	1	1	1	1	1	1	1	1	1	1	1	1	1	COVER		
9	0266 1110 02		1	1	1	1	1	1	1	1	1	1	1	1	1	1	1	1	1	1	1	1	1	1	1	1	1	1	1	1	1	1	NUT		
10	0301 2135 01		1	1	1	1	1	1	1	1	1	1	1	1	1	1	1	1	1	1	1	1	1	1	1	1	1	1	1	1	1	1	1	O-RING	
11	0663 7132 00		1	1	1	1	1	1	1	1	1	1	1	1	1	1	1	1	1	1	1	1	1	1	1	1	1	1	1	1	1	1	1	O-RING	
12	1613 6794 00		1	1	1	1	1	1	1	1	1	1	1	1	1	1	1	1	1	1	1	1	1	1	1	1	1	1	1	1	1	1	1	COVER	
13	0335 2136 00		1	1	1	1	1	1	1	1	1	1	1	1	1	1	1	1	1	1	1	1	1	1	1	1	1	1	1	1	1	1	1	STOP RING	
14	1613 6783 01		1	1	1	1	1	1	1	1	1	1	1	1	1	1	1	1	1	1	1	1	1	1	1	1	1	1	1	1	1	1	1	PISTON	
15	1622 5122 01		1	1	1	1	1	1	1	1	1	1	1	1	1	1	1	1	1	1	1	1	1	1	1	1	1	1	1	1	1	1	1	SPRING	
16	1613 6796 00		1	1	1	1	1	1	1	1	1	1	1	1	1	1	1	1	1	1	1	1	1	1	1	1	1	1	1	1	1	1	1	PISTON	
17	1613 7032 02		1	1	1	1	1	1	1	1	1	1	1	1	1	1	1	1	1	1	1	1	1	1	1	1	1	1	1	1	1	1	1	ROD	
18	1613 6802 01		1	1	1	1	1	1	1	1	1	1	1	1	1	1	1	1	1	1	1	1	1	1	1	1	1	1	1	1	1	1	1	SPRING	
19	1613 7699 02		1	1	1	1	1	1	1	1	1	1	1	1	1	1	1	1	1	1	1	1	1	1	1	1	1	1	1	1	1	1	1	1	VALVE
20	0663 2101 85		1	1	1	1	1	1	1	1	1	1	1	1	1	1	1	1	1	1	1	1	1	1	1	1	1	1	1	1	1	1	1	1	O-RING
21	0686 3101 18		1	1	1	1	1	1	1	1	1	1	1	1	1	1	1	1	1	1	1	1	1	1	1	1	1	1	1	1	1	1	1	1	PLUG
22	1622 5143 00		1	1	1	1	1	1	1	1	1	1	1	1	1	1	1	1	1	1	1	1	1	1	1	1	1	1	1	1	1	1	1	1	PLUG
23	1622 5144 00		1	1	1	1	1	1	1	1	1	1	1	1	1	1	1	1	1	1	1	1	1	1	1	1	1	1	1	1	1	1	1	1	SPRING
24	1613 7573 00		1	1	1	1	1	1	1	1	1	1	1	1	1	1	1	1	1	1	1	1	1	1	1	1	1	1	1	1	1	1	1	1	PLUG
25	6211 9314 00		1	1	1	1	1	1	1	1	1	1	1	1	1	1	1	1	1	1	1	1	1	1	1	1	1	1	1	1	1	1	1	1	ELBOW UNION
26	2202 7298 01		1	1	1	1	1	1	1	1	1	1	1	1	1	1	1	1	1	1	1	1	1	1	1	1	1	1	1	1	1	1	1	1	SOLENOID VALVE
27	1088 0150 53		1	1	1	1	1	1	1	1	1	1	1	1	1	1	1	1	1	1	1	1	1	1	1	1	1	1	1	1	1	1	1	1	CONNECTOR
28	1622 8786 82		1	1	1	1	1	1	1	1	1	1	1	1	1	1	1	1	1	1	1	1	1	1	1	1	1	1	1	1	1	1	1	1	UNLOADING VALVE
-	2901 0002 01		1	1	1	1	1	1	1	1	1	1	1	1	1	1	1	1	1	1	1	1	1	1	1	1	1	1	1	1	1	1	1	1	KIT UNLOADING VALVE







**TAB. 6**

Q.tà - Qty - Q.té - Anz. - Cant.

Serbatoio-separatore aria/olio Réservoir-separateur air/huile / Air/oil tank-separator / Réservoir-separateur air/huile / Luft/Öl Behälter-Abscheider / Depósito de aceite separador aire/aceite

HP 25 / kW 18,5

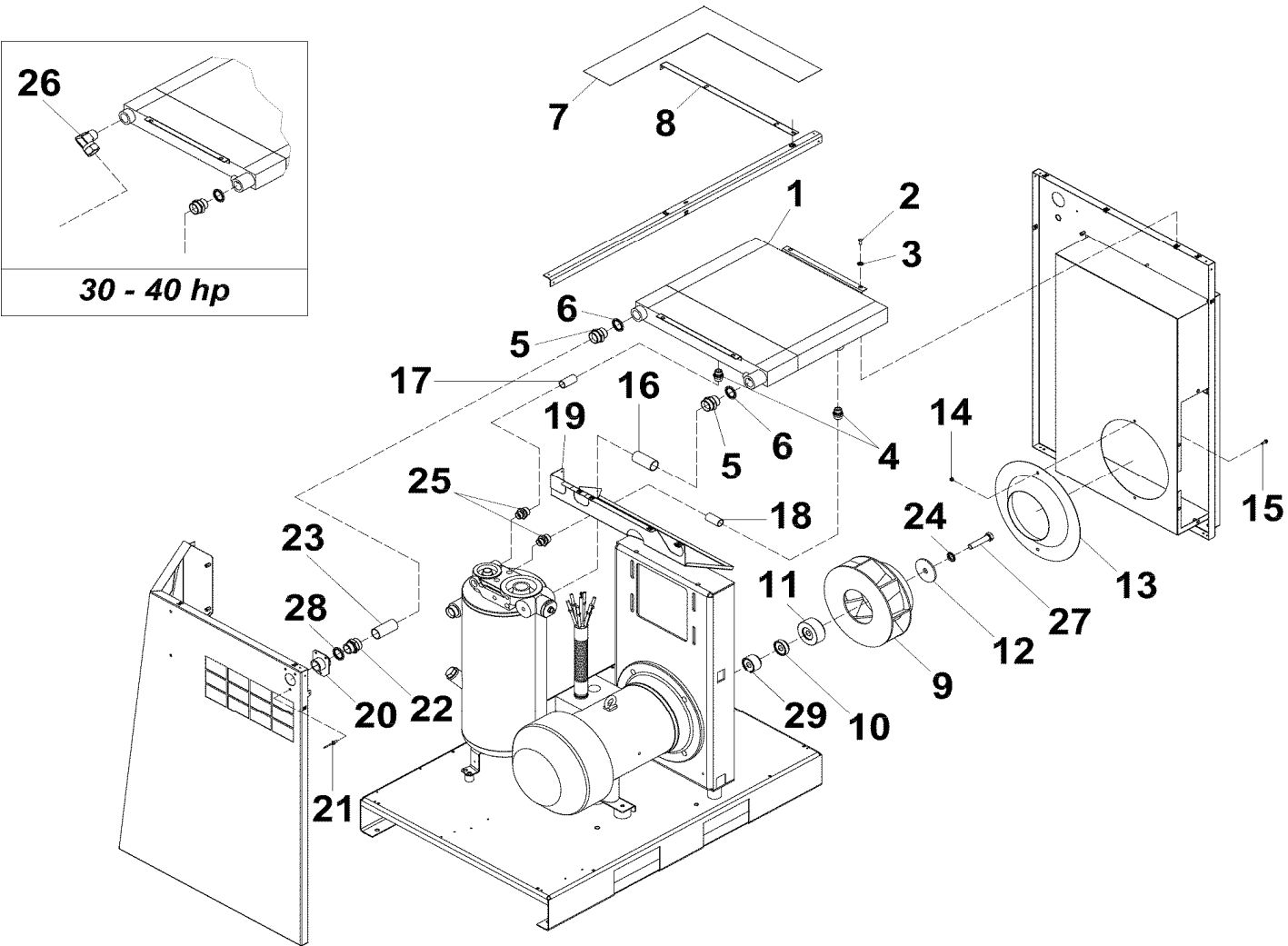
HP 30 / kW 22

HP 40 / kW 30

Rif. N. Ref. No Nr. Ref. Bild Nr. Rif. N.	N. ordinaz. Part. num. Nr. Pièce Teil num. Codigo	Nota-Note-Note- Anm.-Nota	4152 0066 00	4152 0066 01	4152 0066 02	4152 0066 03	4152 0066 04	4152 0066 05	4152 0066 06	4152 0066 07	4152 0066 08	4152 0066 09	4152 0066 10	4152 0066 11	4152 0066 12	4152 0066 13	4152 0066 14	4152 0066 15	4152 0066 16	4152 0066 17	4152 0066 21	4152 0066 22	4152 0066 23	4152 0066 24	4152 0066 25	4152 0066 26	4152 0066 18	4152 0066 19	4152 0066 20	DESCRIZIONE - DESCRIPTION - DESIGNATION - BESCHREIBUNG - DESIGNACION		
1	6215 0373 15		1	1	1	1	1	1	1	1	1	1	1	1	1	1	1	1	1	1	1	1	1	1	1	1	1	1	1	1	OIL TANK	
2	0147 1325 03		1	1	1	1	1	1	1	1	1	1	1	1	1	1	1	1	1	1	1	1	1	1	1	1	1	1	1	1	SCREW	
3	2202 9326 00		3	3	3	3	3	3	3	3	3	3	3	3	3	3	3	3	3	3	3	3	3	3	3	3	3	3	3	3	SPACER	
4	0147 1325 03		3	3	3	3	3	3	3	3	3	3	3	3	3	3	3	3	3	3	3	3	3	3	3	3	3	3	3	3	SCREW	
5	6210 0364 00		3	3	3	3	3	3	3	3	3	3	3	3	3	3	3	3	3	3	3	3	3	3	3	3	3	3	3	3	WASHER	
6	0291 1185 30		2	2	2	2	2	2	2	2	2	2	2	2	2	2	2	2	2	2	2	2	2	2	2	2	2	2	2	2	NUT	
7	0560 1305 03		1	1	1	1	1	1	1	1	1	1	1	1	1	1	1	1	1	1	1	1	1	1	1	1	1	1	1	1	ELBOW UNION	
8	2200 7601 07		1	1	1	1	1	1	1	1	1	1	1	1	1	1	1	1	1	1	1	1	1	1	1	1	1	1	1	1	DRAIN COCK	
9	2200 7513 22		1	1	1	1	1	1	1	1	1	1	1	1	1	1	1	1	1	1	1	1	1	1	1	1	1	1	1	1	NIPPLE	
10	0347 6109 00		1	1	1	1	1	1	1	1	1	1	1	1	1	1	1	1	1	1	1	1	1	1	1	1	1	1	1	1	CLAMP	
11	2200 6503 40		1	1	1	1	1	1	1	1	1	1	1	1	1	1	1	1	1	1	1	1	1	1	1	1	1	1	1	1	HOSE (IN METERS)	
12	2200 7599 10		1	1	1	1	1	1	1	1	1	1	1	1	1	1	1	1	1	1	1	1	1	1	1	1	1	1	1	1	OIL GAUGE	
13	2202 2124 21		1	1	1	1	1	1	1	1	1	1	1	1	1	1	1	1	1	1	1	1	1	1	1	1	1	1	1	1	PLUG	
14	0663 2105 90		1	1	1	1	1	1	1	1	1	1	1	1	1	1	1	1	1	1	1	1	1	1	1	1	1	1	1	1	O-RING	
15	1089 9562 11		1	1	1	1	1	1	1	1	1	1	1	1	1	1	1	1	1	1	1	1	1	1	1	1	1	1	1	1	EARTHING STRIP	
16	0147 1325 03		1	1	1	1	1	1	1	1	1	1	1	1	1	1	1	1	1	1	1	1	1	1	1	1	1	1	1	1	SCREW	
17	6211 4648 00		1	1	1	1	1	1	1	1	1	1	1	1	1	1	1	1	1	1	1	1	1	1	1	1	1	1	1	1	BLOCK FILTERS	
18	0211 1367 03		4	4	4	4	4	4	4	4	4	4	4	4	4	4	4	4	4	4	4	4	4	4	4	4	4	4	4	4	SCREW	
19	6231 9322 00		1	1	1	1	1	1	1	1	1	1	1	1	1	1	1	1	1	1	1	1	1	1	1	1	1	1	1	1	NIPPLE	
20	0580 0015 41		1	1	1	1	1	1	1	1	1	1	1	1	1	1	1	1	1	1	1	1	1	1	1	1	1	1	1	1	NIPPLE	
21	0661 1000 40		1	1	1	1	1	1	1	1	1	1	1	1	1	1	1	1	1	1	1	1	1	1	1	1	1	1	1	1	WASHER	
22	6211 1115 69		1	1	1	1	1	1	1	1	1	1	1	1	1	1	1	1	1	1	1	1	1	1	1	1	1	1	1	1	SAFETY VALVE	
23	2202 7639 02		1	1	1	1	1	1	1	1	1	1	1	1	1	1	1	1	1	1	1	1	1	1	1	1	1	1	1	1	ELBOW UNION	
24	2200 6001 03		1	1	1	1	1	1	1	1	1	1	1	1	1	1	1	1	1	1	1	1	1	1	1	1	1	1	1	1	PRESSURE GAUGE	
25	6221 3724 50		1	1	1	1	1	1	1	1	1	1	1	1	1	1	1	1	1	1	1	1	1	1	1	1	1	1	1	1	OIL FILTER SEPARATOR	
25	6221 3725 50											1	1	1	1	1	1	1	1	1	1	1	1	1	1	1	1	1	1	1	OIL FILTER SEPARATOR	
26	6231 9325 00		1	1	1	1	1	1	1	1	1	1	1	1	1	1	1	1	1	1	1	1	1	1	1	1	1	1	1	1	NIPPLE	
26	6231 9326 00											1	1	1	1	1	1	1	1	1	1	1	1	1	1	1	1	1	1	1	NIPPLE	
27	6211 4722 50		1	1	1	1	1	1	1	1	1	1	1	1	1	1	1	1	1	1	1	1	1	1	1	1	1	1	1	1	1	OIL FILTER
28	6231 6388 00		2	2	2	2	2	2	2	2	2	2	2	2	2	2	2	2	2	2	2	2	2	2	2	2	2	2	2	2	2	O-RING
29	2200 900 944		1	1	1	1	1	1	1	1	1	1	1	1	1	1	1	1	1	1	1	1	1	1	1	1	1	1	1	1	1	MINIMUMPRESSURE VALVE
30	2200 5998 25		1	1	1	1	1	1	1	1	1	1	1	1	1	1	1	1	1	1	1	1	1	1	1	1	1	1	1	1	KIT THERMOSTATIC VALVE	
31	0333 3100 17		1	1	1	1	1	1	1	1	1	1	1	1	1	1	1	1	1	1	1	1	1	1	1	1	1	1	1	1	1	WASHER
32	0333 3100 31		2	2	2	2	2	2	2	2	2	2	2	2	2	2	2	2	2	2	2	2	2	2	2	2	2	2	2	2	2	WASHER
33	0066 1000 45		1	1	1	1	1	1	1	1	1	1	1	1	1	1	1	1	1	1	1	1	1	1	1	1	1	1	1	1	1	WASHER





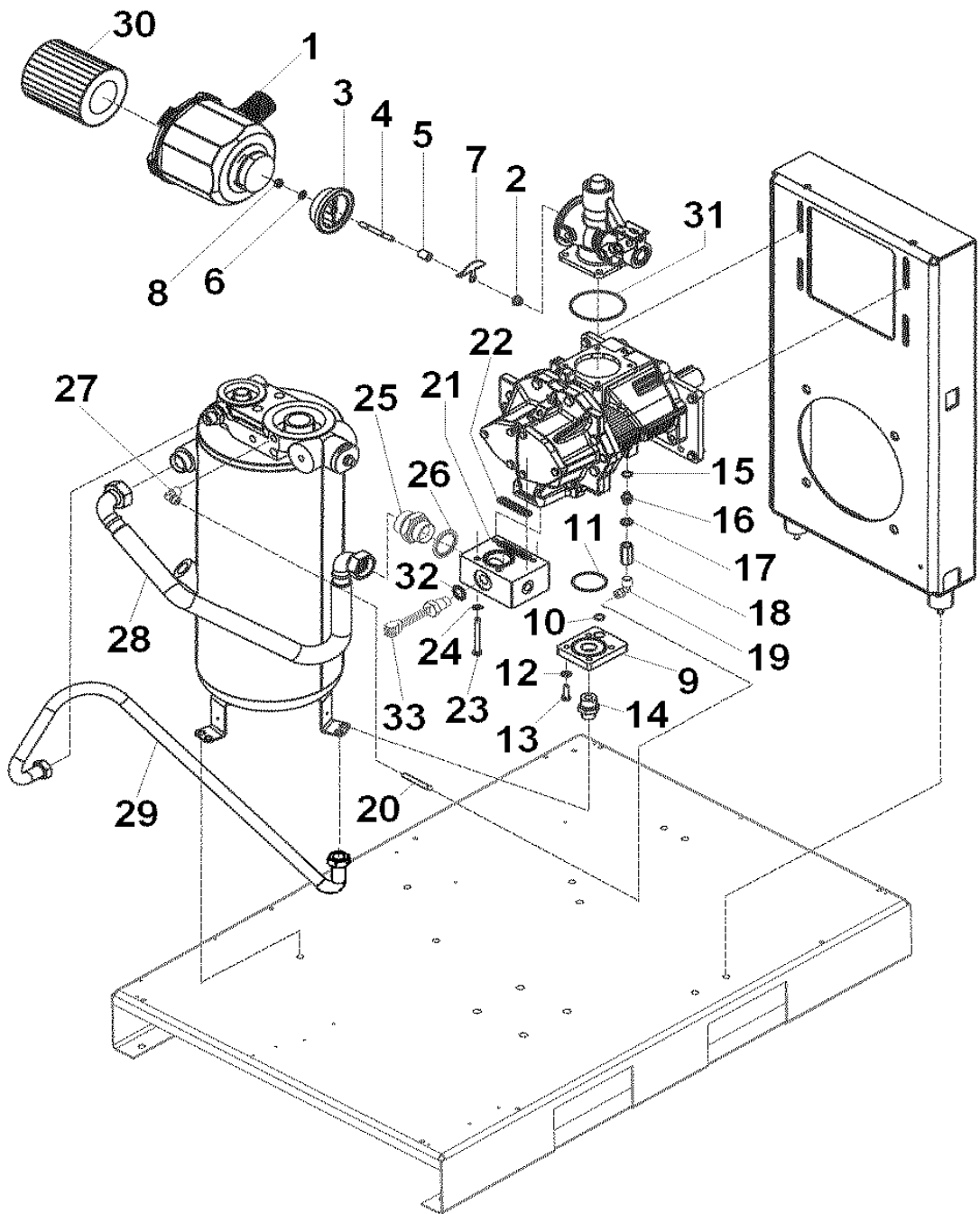








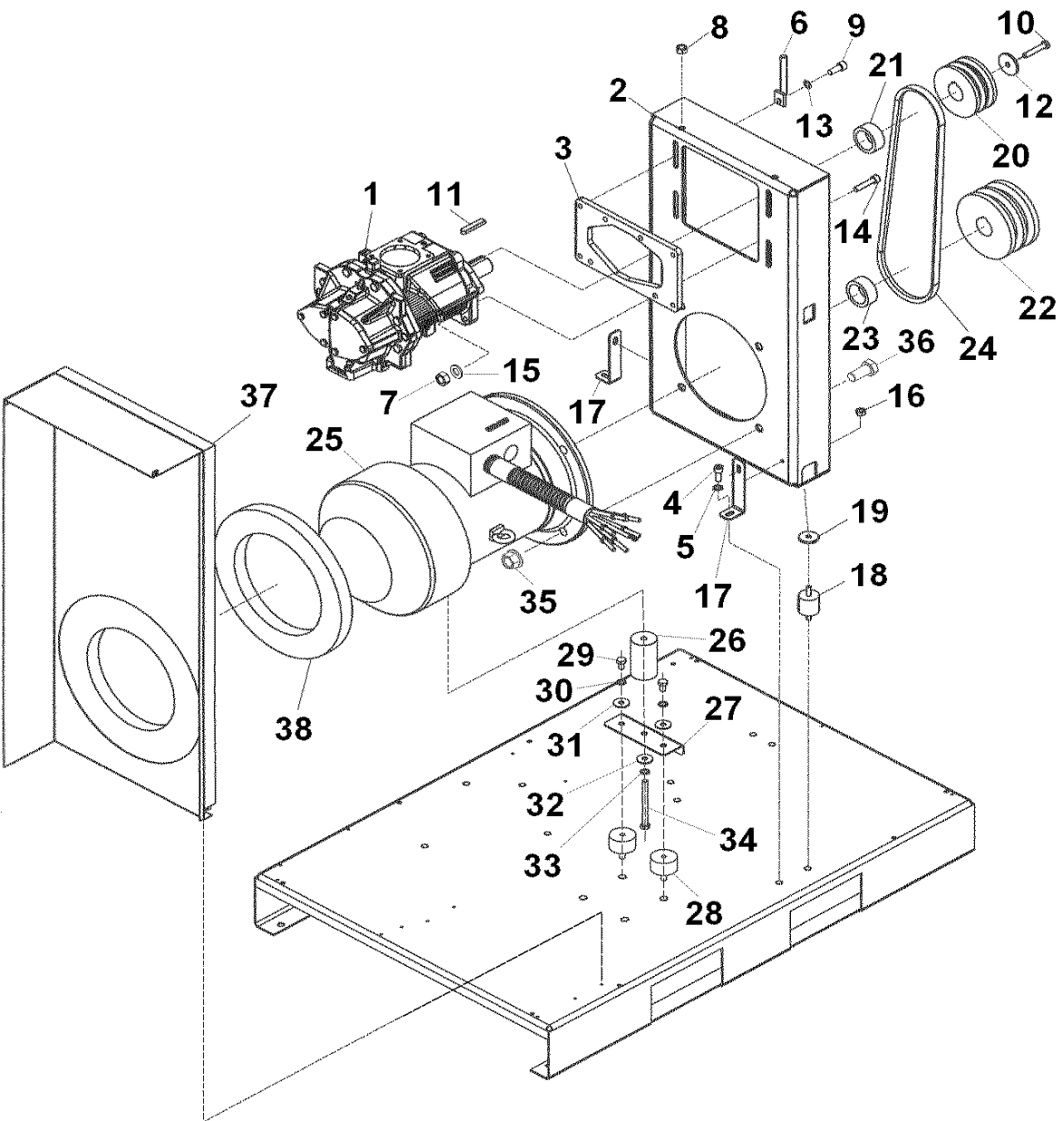




TAB. 8			Q.tà - Qty - Q.té - Anz. - Cant.																				Filtro aria - compressore a vite / Air filter - screw compressor / Filtre d'air - compresseur a vis / Luftfilter - Schraubenkompressor / Filtro de aire - compresor de tornillo												
			HP 25 / kW 18,5							HP 30 / kW 22							HP 40 / kW 30																		
Rif. N. Ref. No Nr. Ref. Bild Nr. Rif. N.	N. ordinaz. Part. num. Nr. Pièce Teil num. Codigo	Nota-Note- Note-Nota Anm.-Nota	4152 0066 00	4152 0066 01	4152 0066 02	4152 0066 03	4152 0066 04	4152 0066 05	4152 0066 06	4152 0066 07	4152 0066 08	4152 0066 09	4152 0066 10	4152 0066 11	4152 0066 12	4152 0066 13	4152 0066 14	4152 0066 15	4152 0066 16	4152 0066 17	4152 0066 21	4152 0066 22	4152 0066 23	4152 0066 24	4152 0066 25	4152 0066 26	4152 0066 18	4152 0066 19	4152 0066 20	DESCRIZIONE - DESCRIPTION - DESIGNATION - BESCHREIBUNG - DESIGNACION					
1	6211 4721 00		1	1	1	1	1	1	1	1	1	1	1	1	1	1	1	1	1	1	1	1	1	1	1	1	1	1	1		1	1	1	AIR FILTER ASSEMBLY	
2	0291 1185 30		1	1	1	1	1	1	1	1	1	1	1	1	1	1	1	1	1	1	1	1	1	1	1	1	1	1	1	1	1	1	NUT		
3	1613 8722 81		1	1	1	1	1	1	1	1	1	1	1	1	1	1	1	1	1	1	1	1	1	1	1	1	1	1	1	1	1	1	VALVE		
4	0246 1956 39		1	1	1	1	1	1	1	1	1	1	1	1	1	1	1	1	1	1	1	1	1	1	1	1	1	1	1	1	1	1	SCREW		
5	6214 3353 00		1	1	1	1	1	1	1	1	1	1	1	1	1	1	1	1	1	1	1	1	1	1	1	1	1	1	1	1	1	1	SPACER		
6	0301 2335 00		1	1	1	1	1	1	1	1	1	1	1	1	1	1	1	1	1	1	1	1	1	1	1	1	1	1	1	1	1	1	WASHER		
7	1613 7310 00		1	1	1	1	1	1	1	1	1	1	1	1	1	1	1	1	1	1	1	1	1	1	1	1	1	1	1	1	1	1	PLATE		
8	0291 1110 00		1	1	1	1	1	1	1	1	1	1	1	1	1	1	1	1	1	1	1	1	1	1	1	1	1	1	1	1	1	1	NUT		
9	2202 9099 00		1	1	1	1	1	1	1	1	1	1	1	1	1	1	1	1	1	1	1	1	1	1	1	1	1	1	1	1	1	1	FLANGE		
10	0663 3120 00		1	1	1	1	1	1	1	1	1	1	1	1	1	1	1	1	1	1	1	1	1	1	1	1	1	1	1	1	1	1	O-RING		
11	0663 7135 00		1	1	1	1	1	1	1	1	1	1	1	1	1	1	1	1	1	1	1	1	1	1	1	1	1	1	1	1	1	1	O-RING		
12	2202 9045 01		4	4	4	4	4	4	4	4	4	4	4	4	4	4	4	4	4	4	4	4	4	4	4	4	4	4	4	4	4	4	4	WASHER	
13	0147 1325 03		4	4	4	4	4	4	4	4	4	4	4	4	4	4	4	4	4	4	4	4	4	4	4	4	4	4	4	4	4	4	4	SCREW	
14	0580 0015 41		1	1	1	1	1	1	1	1	1	1	1	1	1	1	1	1	1	1	1	1	1	1	1	1	1	1	1	1	1	1	1	NIPPLE	
15	2200 6335 03		1	1	1	1	1	1	1	1	1	1	1	1	1	1	1	1	1	1	1	1	1	1	1	1	1	1	1	1	1	1	1	O-RING	
16	2202 2130 45		1	1	1	1	1	1	1	1	1	1	1	1	1	1	1	1	1	1	1	1	1	1	1	1	1	1	1	1	1	1	1	NIPPLE	
17	0661 1000 38		1	1	1	1	1	1	1	1	1	1	1	1	1	1	1	1	1	1	1	1	1	1	1	1	1	1	1	1	1	1	1	WASHER	
18	0823 0050 09		1	1	1	1	1	1	1	1	1	1	1	1	1	1	1	1	1	1	1	1	1	1	1	1	1	1	1	1	1	1	1	CHECK VALVE	
19	9740 2004 32		1	1	1	1	1	1	1	1	1	1	1	1	1	1	1	1	1	1	1	1	1	1	1	1	1	1	1	1	1	1	1	ELBOW UNION	
20	0070 6002 09		1	1	1	1	1	1	1	1	1	1	1	1	1	1	1	1	1	1	1	1	1	1	1	1	1	1	1	1	1	1	1	HOSE (IN METERS)	
21	2202 2600 75		1	1	1	1	1	1	1	1	1	1	1	1	1	1	1	1	1	1	1	1	1	1	1	1	1	1	1	1	1	1	1	FLANGE	
22	2200 6332 21		2	2	2	2	2	2	2	2	2	2	2	2	2	2	2	2	2	2	2	2	2	2	2	2	2	2	2	2	2	2	2	2	O-RING
23	0147 1335 03		4	4	4	4	4	4	4	4	4	4	4	4	4	4	4	4	4	4	4	4	4	4	4	4	4	4	4	4	4	4	4	4	SCREW
24	2202 9045 01		4	4	4	4	4	4	4	4	4	4	4	4	4	4	4	4	4	4	4	4	4	4	4	4	4	4	4	4	4	4	4	4	WASHER
25	6231 9322 00		1	1	1	1	1	1	1	1	1	1	1	1	1	1	1	1	1	1	1	1	1	1	1	1	1	1	1	1	1	1	1	1	NIPPLE
26	0661 1000 45		1	1	1	1	1	1	1	1	1	1	1	1	1	1	1	1	1	1	1	1	1	1	1	1	1	1	1	1	1	1	1	1	WASHER
27	9740 2004 32		1	1	1	1	1	1	1	1	1	1	1	1	1	1	1	1	1	1	1	1	1	1	1	1	1	1	1	1	1	1	1	1	ELBOW UNION
28	6245 5785 00		1	1	1	1	1	1	1	1	1	1	1	1	1	1	1	1	1	1	1	1	1	1	1	1	1	1	1	1	1	1	1	1	FLEXIBLE TUBE
29	6245 5708 00		1	1	1	1	1	1	1	1	1	1	1	1	1	1	1	1	1	1	1	1	1	1	1	1	1	1	1	1	1	1	1	1	FLEXIBLE TUBE
30	6211 4723 50		1	1	1	1	1	1	1	1	1	1	1	1	1	1	1	1	1	1	1	1	1	1	1	1	1	1	1	1	1	1	1	1	AIR FILTER
31	0663 2106 15		1	1	1	1	1	1	1	1	1	1	1	1	1	1	1	1	1	1	1	1	1	1	1	1	1	1	1	1	1	1	1	1	O-RING
32	0661 1000 39		1	1	1	1	1	1	1	1	1	1	1	1	1	1	1	1	1	1	1	1	1	1	1	1	1	1	1	1	1	1	1	1	WASHER
33	1089 0637 16		1	1	1	1	1	1	1	1	1	1	1	1	1	1	1	1	1	1	1	1	1	1	1	1	1	1	1	1	1	1	1	1	TEMPERATURE SWITCH

TAB. 8		Q.tà - Qty - Q.té - Anz. - Cant.																		Filtro aria - compressore a vite / Air filter - screw compressr / Filtre d'air - compresseur a vis / Luftfilter - Schraubenkompressor / Filtro de aire - compresor de tornillo														
Rif. N. Ref. No Nr. Réf. Bild Nr. Rif. N.	N. ordinaz. Part. num. Nr. Pièce Teil num. Codigo	Nota-Note-Note- Anm.-Nota	4152 0067 10	4152 0067 11	4152 0067 12	4152 0067 13	4152 0067 14	4152 0067 15	4152 0067 16	4152 0067 17	4152 0067 18	4152 0067 19	4152 0067 20	4152 0067 21	4152 0067 22	4152 0067 23	4152 0067 24	4152 0067 25	4152 0067 26	4152 0067 27	4152 0067 31	4152 0067 32	4152 0067 33	4152 0067 34	4152 0067 35	4152 0067 36	4152 0067 28	4152 0067 29	4152 0067 30	DESCRIZIONE - DESCRIPTION - DESIGNATION - BESCHREIBUNG - DESIGNACION				
1	6211 4721 00		1	1	1	1	1	1	1	1	1	1	1	1	1	1	1	1	1	1	1	1	1	1	1	1	1	1	1	1	1	1	AIR FILTER ASSEMBLY	
2	0291 1185 30		1	1	1	1	1	1	1	1	1	1	1	1	1	1	1	1	1	1	1	1	1	1	1	1	1	1	1	1	1	1	NUT	
3	1613 8722 81		1	1	1	1	1	1	1	1	1	1	1	1	1	1	1	1	1	1	1	1	1	1	1	1	1	1	1	1	1	1	VALVE	
4	0246 1956 39		1	1	1	1	1	1	1	1	1	1	1	1	1	1	1	1	1	1	1	1	1	1	1	1	1	1	1	1	1	1	SCREW	
5	6214 3353 00		1	1	1	1	1	1	1	1	1	1	1	1	1	1	1	1	1	1	1	1	1	1	1	1	1	1	1	1	1	1	SPACER	
6	0301 2335 00		1	1	1	1	1	1	1	1	1	1	1	1	1	1	1	1	1	1	1	1	1	1	1	1	1	1	1	1	1	1	WASHER	
7	1613 7310 00		1	1	1	1	1	1	1	1	1	1	1	1	1	1	1	1	1	1	1	1	1	1	1	1	1	1	1	1	1	1	PLATE	
8	0291 1110 00		1	1	1	1	1	1	1	1	1	1	1	1	1	1	1	1	1	1	1	1	1	1	1	1	1	1	1	1	1	1	NUT	
9	2202 9099 00		1	1	1	1	1	1	1	1	1	1	1	1	1	1	1	1	1	1	1	1	1	1	1	1	1	1	1	1	1	1	FLANGE	
10	0663 3120 00		1	1	1	1	1	1	1	1	1	1	1	1	1	1	1	1	1	1	1	1	1	1	1	1	1	1	1	1	1	1	O-RING	
11	0663 7135 00		1	1	1	1	1	1	1	1	1	1	1	1	1	1	1	1	1	1	1	1	1	1	1	1	1	1	1	1	1	1	O-RING	
12	2202 9045 01		4	4	4	4	4	4	4	4	4	4	4	4	4	4	4	4	4	4	4	4	4	4	4	4	4	4	4	4	4	4	WASHER	
13	0147 1325 03		4	4	4	4	4	4	4	4	4	4	4	4	4	4	4	4	4	4	4	4	4	4	4	4	4	4	4	4	4	4	SCREW	
14	0580 0015 41		1	1	1	1	1	1	1	1	1	1	1	1	1	1	1	1	1	1	1	1	1	1	1	1	1	1	1	1	1	1	NIPPLE	
15	2200 6335 03		1	1	1	1	1	1	1	1	1	1	1	1	1	1	1	1	1	1	1	1	1	1	1	1	1	1	1	1	1	1	O-RING	
16	2202 2130 45		1	1	1	1	1	1	1	1	1	1	1	1	1	1	1	1	1	1	1	1	1	1	1	1	1	1	1	1	1	1	NIPPLE	
17	0661 1000 38		1	1	1	1	1	1	1	1	1	1	1	1	1	1	1	1	1	1	1	1	1	1	1	1	1	1	1	1	1	1	WASHER	
18	0823 0050 09		1	1	1	1	1	1	1	1	1	1	1	1	1	1	1	1	1	1	1	1	1	1	1	1	1	1	1	1	1	1	CHECK VALVE	
19	9740 2004 32		1	1	1	1	1	1	1	1	1	1	1	1	1	1	1	1	1	1	1	1	1	1	1	1	1	1	1	1	1	1	ELBOW UNION	
20	0070 6002 09		1	1	1	1	1	1	1	1	1	1	1	1	1	1	1	1	1	1	1	1	1	1	1	1	1	1	1	1	1	1	HOSE (IN METERS)	
21	2202 2600 75		1	1	1	1	1	1	1	1	1	1	1	1	1	1	1	1	1	1	1	1	1	1	1	1	1	1	1	1	1	1	FLANGE	
22	2200 6332 21		2	2	2	2	2	2	2	2	2	2	2	2	2	2	2	2	2	2	2	2	2	2	2	2	2	2	2	2	2	2	2	O-RING
23	0147 1335 03		4	4	4	4	4	4	4	4	4	4	4	4	4	4	4	4	4	4	4	4	4	4	4	4	4	4	4	4	4	4	SCREW	
24	2202 9045 01		4	4	4	4	4	4	4	4	4	4	4	4	4	4	4	4	4	4	4	4	4	4	4	4	4	4	4	4	4	4	WASHER	
25	6231 9322 00		1	1	1	1	1	1	1	1	1	1	1	1	1	1	1	1	1	1	1	1	1	1	1	1	1	1	1	1	1	1	NIPPLE	
26	0661 1000 45		1	1	1	1	1	1	1	1	1	1	1	1	1	1	1	1	1	1	1	1	1	1	1	1	1	1	1	1	1	1	WASHER	
27	9740 2004 32		1	1	1	1	1	1	1	1	1	1	1	1	1	1	1	1	1	1	1	1	1	1	1	1	1	1	1	1	1	1	ELBOW UNION	
28	6245 5785 00		1	1	1	1	1	1	1	1	1	1	1	1	1	1	1	1	1	1	1	1	1	1	1	1	1	1	1	1	1	1	1	FLEXIBLE TUBE
29	6245 5708 00		1	1	1	1	1	1	1	1	1	1	1	1	1	1	1	1	1	1	1	1	1	1	1	1	1	1	1	1	1	1	1	FLEXIBLE TUBE
30	6211 4723 50		1	1	1	1	1	1	1	1	1	1	1	1	1	1	1	1	1	1	1	1	1	1	1	1	1	1	1	1	1	1	1	AIR FILTER
31	0663 2106 15		1	1	1	1	1	1	1	1	1	1	1	1	1	1	1	1	1	1	1	1	1	1	1	1	1	1	1	1	1	1	1	O-RING
32	0661 1000 39		1	1	1	1	1	1	1	1	1	1	1	1	1	1	1	1	1	1	1	1	1	1	1	1	1	1	1	1	1	1	1	WASHER
33	1089 0637 16		1	1	1	1	1	1	1	1	1	1	1	1	1	1	1	1	1	1	1	1	1	1	1	1	1	1	1	1	1	1	1	TEMPERATURE SWITCH





TAB. 9		Q.tà - Qty - Q.té - Anz. - Cant.																								Staffa porta motore elettrico compressore a vite - Trasmissione / Screw compressor and electric motor metal support-Transmission / Étrier supporte moteur électrique compresseur a vis - Transmission / Schraubenkompressor-und Elektromotorstütze Riemetrieb / Estribo soporte motor eléctrico compresor de tornillo - Transmisión por							
		HP 25 / kW 18,5								HP 30 / kW 22								HP 40 / kW 30															
Rif. N. Ref. No Nr. Réf. Bild Nr. Rif. N.	N. ordinaz. Part. num. Nr. Pièce Teil num. Codigo	Nota-Note-Ann.-Nota	4152 0066 00	4152 0066 01	4152 0066 02	4152 0066 03	4152 0066 04	4152 0066 05	4152 0066 06	4152 0066 07	4152 0066 08	4152 0066 09	4152 0066 10	4152 0066 11	4152 0066 12	4152 0066 13	4152 0066 14	4152 0066 15	4152 0066 16	4152 0066 17	4152 0066 21	4152 0066 22	4152 0066 23	4152 0066 24	4152 0066 25	4152 0066 26	4152 0066 18	4152 0066 19	4152 0066 20	DESCRIZIONE - DESCRIPTION - DESIGNATION - BESCHREIBUNG - DESIGNACION			
1	2989 0154 01		1	1	1	1	1	1	1	1	1	1	1	1	1	1	1	1	1	1	1	1	1	1	1	1	1	1	1	1	1	1	COMPRESSOR
2	6245 3418 19		1	1	1	1	1	1	1	1	1	1	1	1	1	1	1	1	1	1	1	1	1	1	1	1	1	1	1	1	1	1	SUPPORT MOTOR
3	2202 2600 34		1	1	1	1	1	1	1	1	1	1	1	1	1	1	1	1	1	1	1	1	1	1	1	1	1	1	1	1	1	1	FLANGE SUPPORT COMPRESSOR
4	0147 1325 03		4	4	4	4	4	4	4	4	4	4	4	4	4	4	4	4	4	4	4	4	4	4	4	4	4	4	4	4	4	4	SCREW
5	2202 9045 01		4	4	4	4	4	4	4	4	4	4	4	4	4	4	4	4	4	4	4	4	4	4	4	4	4	4	4	4	4	4	WASHER
6	2202 2600 63		2	2	2	2	2	2	2	2	2	2	2	2	2	2	2	2	2	2	2	2	2	2	2	2	2	2	2	2	2	2	TIE ROD
7	0266 2111 00		2	2	2	2	2	2	2	2	2	2	2	2	2	2	2	2	2	2	2	2	2	2	2	2	2	2	2	2	2	2	NUT
8	0266 2112 00		4	4	4	4	4	4	4	4	4	4	4	4	4	4	4	4	4	4	4	4	4	4	4	4	4	4	4	4	4	4	NUT
9	0211 1362 00		6	6	6	6	6	6	6	6	6	6	6	6	6	6	6	6	6	6	6	6	6	6	6	6	6	6	6	6	6	6	SCREW
10	0147 1367 03		1	1	1	1	1	1	1	1	1	1	1	1	1	1	1	1	1	1	1	1	1	1	1	1	1	1	1	1	1	1	SCREW
11	0337 6064 00		1	1	1	1	1	1	1	1	1	1	1	1	1	1	1	1	1	1	1	1	1	1	1	1	1	1	1	1	1	1	PARALLEL KEY
11	0337 0009 42																					1	1	1	1	1	1	1	1	1	1	1	PARALLEL KEY
12	1513 0036 03		1	1	1	1	1	1	1	1	1	1	1	1	1	1	1	1	1	1	1	1	1	1	1	1	1	1	1	1	1	1	WASHER
13	6210 0364 00		6	6	6	6	6	6	6	6	6	6	6	6	6	6	6	6	6	6	6	6	6	6	6	6	6	6	6	6	6	6	WASHER
14	0211 1366 03		2	2	2	2	2	2	2	2	2	2	2	2	2	2	2	2	2	2	2	2	2	2	2	2	2	2	2	2	2	2	SCREW
15	6210 0364 00		2	2	2	2	2	2	2	2	2	2	2	2	2	2	2	2	2	2	2	2	2	2	2	2	2	2	2	2	2	2	WASHER
16	0291 1185 30		2	2	2	2	2	2	2	2	2	2	2	2	2	2	2	2	2	2	2	2	2	2	2	2	2	2	2	2	2	2	NUT
17	6224 4313 00		2	2	2	2	2	2	2	2	2	2	2	2	2	2	2	2	2	2	2	2	2	2	2	2	2	2	2	2	2	2	SUPPORT
18	0392 1100 44		2	2	2	2	2	2	2	2	2	2	2	2	2	2	2	2	2	2	2	2	2	2	2	2	2	2	2	2	2	2	PUFFER
19	2200 7225 16		2	2	2	2	2	2	2	2	2	2	2	2	2	2	2	2	2	2	2	2	2	2	2	2	2	2	2	2	2	2	WASHER
20	6224 1829 00		1		1			1	1		1		1	1	1	1	1	1	1	1	1	1	1	1	1	1	1	1	1	1	1	1	PULLEY
20	6224 1811 00			1			1			1																				1			PULLEY
20	2202 7299 17																											1	1				PULLEY
21	6224 1621 00		1	1	1	1	1	1	1	1	1	1	1	1	1	1	1	1	1	1	1	1	1	1	1	1	1	1	1	1	1	1	SPACER
22	6224 1814 00		1			1			1																				1				PULLEY
22	6224 1815 00			1			1			1																							PULLEY
22	6224 1807 00				1			1			1																						PULLEY
22	6224 1692 00											1			1													1					PULLEY
22	2202 7299 18												1			1						1											PULLEY
22	6224 1688 00													1		1						1											PULLEY



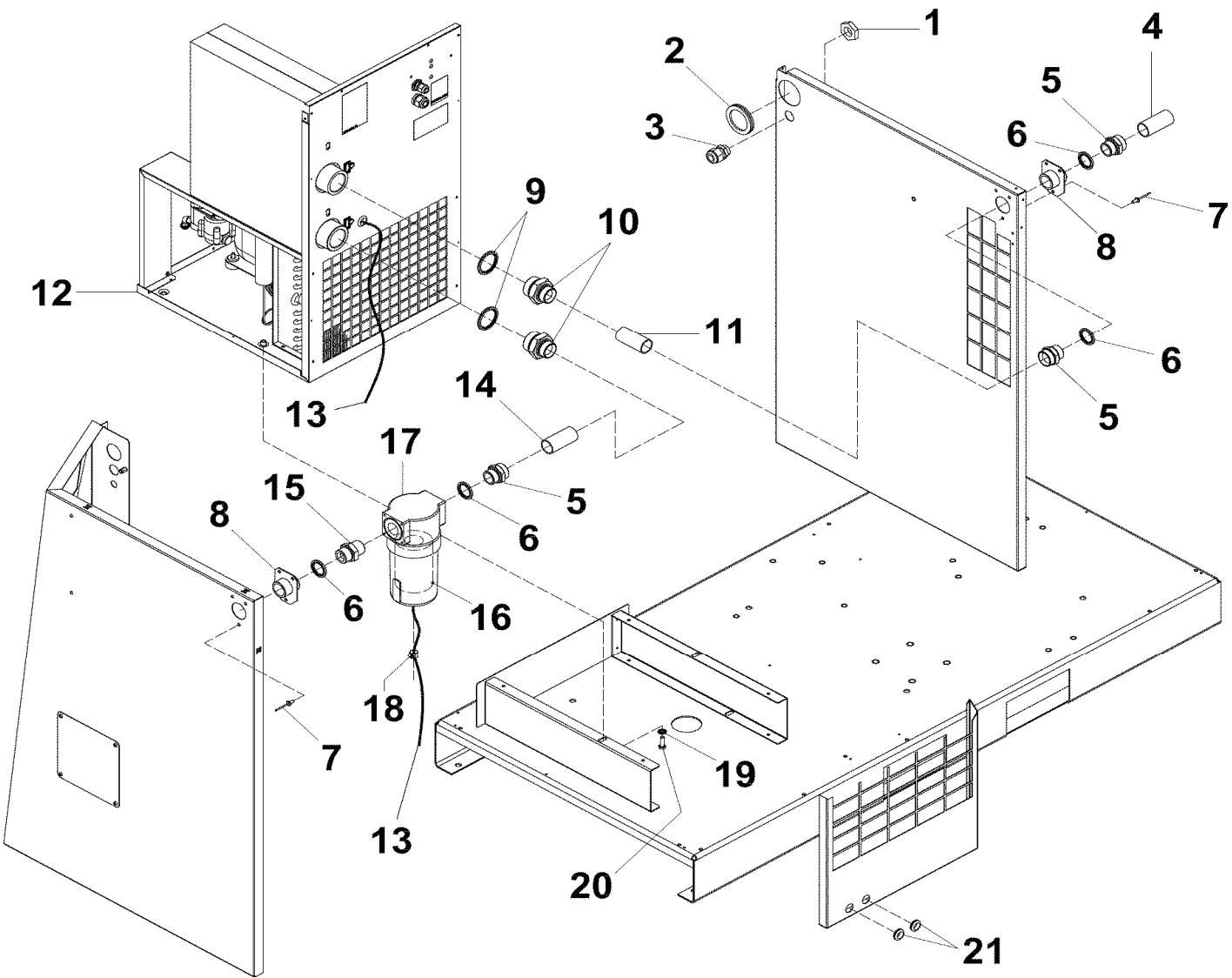
TAB. 9			Q.tà - Qty - Q.té - Anz. - Cant.																								Staffa porta motore elettrico compressore a vite - Trasmissione / Screw compressor and electric motor metal support-Transmission / Étrier supporte moteur électrique compresseur a vis - Transmission / Schraubenkompressor-und Elektromotorstütze Riemetrieb / Estribo soporte motor eléctrico compresor de tornillo - Transmisión por						
			HP 25 / kW 18,5								HP 30 / kW 22								HP 40 / kW 30														
Rif. N. Ref. No Nr. Ref. Bild Nr. Rif. N.	N. ordinaz. Part. num. Nr. Piece Teil num. Codigo	Note-Note-Note- Anm. - Nota	4152 0066 00	4152 0066 01	4152 0066 02	4152 0066 03	4152 0066 04	4152 0066 05	4152 0066 06	4152 0066 07	4152 0066 08	4152 0066 09	4152 0066 10	4152 0066 11	4152 0066 12	4152 0066 13	4152 0066 14	4152 0066 15	4152 0066 16	4152 0066 17	4152 0066 21	4152 0066 22	4152 0066 23	4152 0066 24	4152 0066 25	4152 0066 26	4152 0066 18	4152 0066 19	4152 0066 20	DESCRIZIONE - DESCRIPTION - DESIGNATION - BESCHREIBUNG - DESIGNACION			
26	2202 9543 02		1	1	1	1	1	1	1	1	1	1	1	1	1	1	1	1	1	1	1	1	1	1	1	1					SUPPORT		
26	2202 9543 01																										1	1	1			SUPPORT	
27	2202 9525 00		1	1	1	1	1	1	1	1	1	1	1	1	1	1	1	1	1	1	1	1	1	1	1	1	1	1	1	1		STIRRUP	
28	0392 1100 23		2	2	2	2	2	2	2	2	2	2	2	2	2	2	2	2	2	2	2	2	2	2	2	2	2	2	2	2		PUFFER	
29	0147 1359 03		2	2	2	2	2	2	2	2	2	2	2	2	2	2	2	2	2	2	2	2	2	2	2	2	2	2	2	2		SCREW	
30	0333 4232 00		2	2	2	2	2	2	2	2	2	2	2	2	2	2	2	2	2	2	2	2	2	2	2	2	2	2	2	2		WASHER	
31	0300 0274 17		2	2	2	2	2	2	2	2	2	2	2	2	2	2	2	2	2	2	2	2	2	2	2	2	2	2	2	2		WASHER	
32	0300 0274 17		1	1	1	1	1	1	1	1	1	1	1	1	1	1	1	1	1	1	1	1	1	1	1	1	1	1	1	1		WASHER	
33	0333 4232 00		1	1	1	1	1	1	1	1	1	1	1	1	1	1	1	1	1	1	1	1	1	1	1	1	1	1	1	1		WASHER	
34	0147 1379 03		1	1	1	1	1	1	1	1	1	1	1	1	1	1	1	1	1	1	1	1	1	1	1	1	1	1	1	1		SCREW	
34	0147 1372 03																										1	1	1			SCREW	
35	0291 1185 34		4	4	4	4	4	4	4	4	4	4	4	4	4	4	4	4	4	4	4	4	4	4	4	4	4	4	4	4		NUT	
36	0147 1476 03		1	1	1	1	1	1	1	1	1	1	1	1	1	1	1	1	1	1	1	1	1	1	1	1	1	1	1	1		SCREW	
37	6275 6143 10		1	1	1	1	1	1	1	1	1	1	1	1	1	1	1	1	1	1	1	1	1	1	1	1	1	1	1	1		PANEL	
37	6275 6144 10																										1	1	1			PANEL	
38	6245 3451 00																											1	1	1			INSULATION



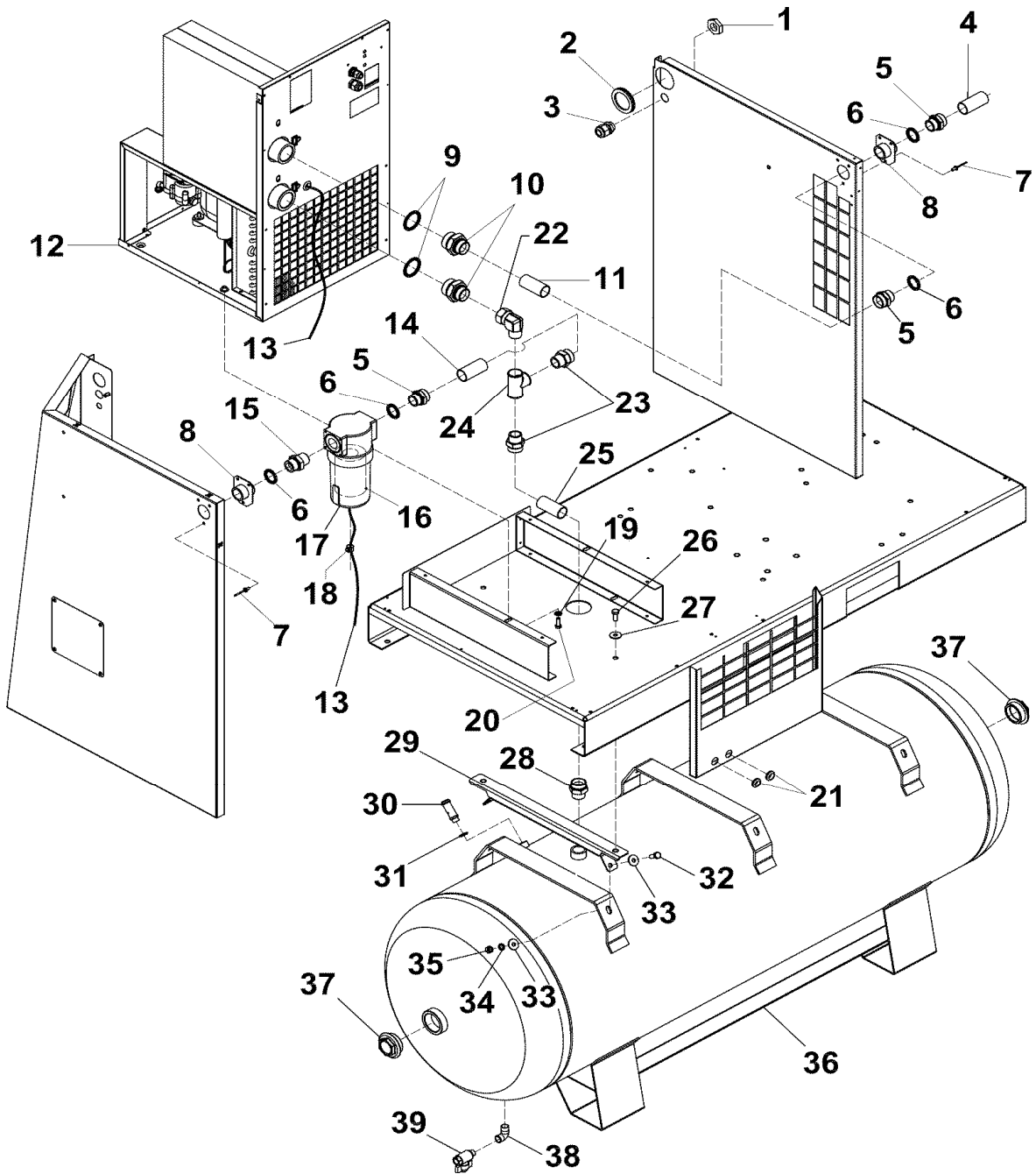
TAB. 9			Q.tà - Qty - Q.té - Anz. - Cant.															Staffa porta motore elettrico compressore a vite - Trasmissione / Screw compressor and electric motor metal support-Transmission / Étrier supporte moteur électrique compresseur a vis - Transmission / Schraubenkompressor-und Elektromotorstütze Riemtrieb / Estribo soporte motor eléctrico compresor de tornillo - Transmisión por																							
			HP 25 / kW 18,5					HP 30 / kW 22					HP 40 / kW 30																												
Rif. No Ref. No Nr. Ref. Bild Nr. Rif. N.	N. ordinaz. Part. num. Nr. Piéce Teil num. Codigo	Note-Note-Note- Anm.-Nota	4152 0067 10	4152 0067 11	4152 0067 12	4152 0067 13	4152 0067 14	4152 0067 15	4152 0067 16	4152 0067 17	4152 0067 18	4152 0067 19	4152 0067 20	4152 0067 21	4152 0067 22	4152 0067 23	4152 0067 24	4152 0067 25	4152 0067 26	4152 0067 27	4152 0067 31	4152 0067 32	4152 0067 33	4152 0067 34	4152 0067 35	4152 0067 36	4152 0067 28	4152 0067 29	4152 0067 30	DESCRIZIONE - DESCRIPTION - DESIGNATION - BESCHREIBUNG - DESIGNACION											
1	2989 0154 01		1	1	1	1	1	1	1	1	1	1	1	1	1	1	1	1	1	1	1	1	1	1	1	1	1	1	1	1	1	1	COMPRESSOR								
2	6245 3418 19		1	1	1	1	1	1	1	1	1	1	1	1	1	1	1	1	1	1	1	1	1	1	1	1	1	1	1	1	1	1	SUPPORT MOTOR								
3	2202 2600 34		1	1	1	1	1	1	1	1	1	1	1	1	1	1	1	1	1	1	1	1	1	1	1	1	1	1	1	1	1	1	FLANGE SUPPORT COMPRESSOR								
4	0147 1325 03		4	4	4	4	4	4	4	4	4	4	4	4	4	4	4	4	4	4	4	4	4	4	4	4	4	4	4	4	4	4	SCREW								
5	2202 9045 01		4	4	4	4	4	4	4	4	4	4	4	4	4	4	4	4	4	4	4	4	4	4	4	4	4	4	4	4	4	4	WASHER								
6	2202 2600 63		2	2	2	2	2	2	2	2	2	2	2	2	2	2	2	2	2	2	2	2	2	2	2	2	2	2	2	2	2	2	2	TIE ROD							
7	0266 2111 00		2	2	2	2	2	2	2	2	2	2	2	2	2	2	2	2	2	2	2	2	2	2	2	2	2	2	2	2	2	2	2	NUT							
8	0266 2112 00		4	4	4	4	4	4	4	4	4	4	4	4	4	4	4	4	4	4	4	4	4	4	4	4	4	4	4	4	4	4	4	NUT							
9	0211 1362 00		6	6	6	6	6	6	6	6	6	6	6	6	6	6	6	6	6	6	6	6	6	6	6	6	6	6	6	6	6	6	6	SCREW							
10	0147 1367 03		1	1	1	1	1	1	1	1	1	1	1	1	1	1	1	1	1	1	1	1	1	1	1	1	1	1	1	1	1	1	1	SCREW							
11	0337 6064 00		1	1	1	1	1	1	1	1	1	1	1	1	1	1	1	1	1	1	1	1	1	1	1	1	1	1	1	1	1	1	1	PARALLEL KEY							
11	0337 0009 42																																		PARALLEL KEY						
12	1513 0036 03		1	1	1	1	1	1	1	1	1	1	1	1	1	1	1	1	1	1	1	1	1	1	1	1	1	1	1	1	1	1	1	WASHER							
13	6210 0364 00		6	6	6	6	6	6	6	6	6	6	6	6	6	6	6	6	6	6	6	6	6	6	6	6	6	6	6	6	6	6	6	6	WASHER						
14	0211 1366 03		2	2	2	2	2	2	2	2	2	2	2	2	2	2	2	2	2	2	2	2	2	2	2	2	2	2	2	2	2	2	2	2	SCREW						
15	6210 0364 00		2	2	2	2	2	2	2	2	2	2	2	2	2	2	2	2	2	2	2	2	2	2	2	2	2	2	2	2	2	2	2	2	WASHER						
16	0291 1185 30		2	2	2	2	2	2	2	2	2	2	2	2	2	2	2	2	2	2	2	2	2	2	2	2	2	2	2	2	2	2	2	2	NUT						
17	6224 4313 00		2	2	2	2	2	2	2	2	2	2	2	2	2	2	2	2	2	2	2	2	2	2	2	2	2	2	2	2	2	2	2	2	SUPPORT						
18	0392 1100 44		2	2	2	2	2	2	2	2	2	2	2	2	2	2	2	2	2	2	2	2	2	2	2	2	2	2	2	2	2	2	2	2	PUFFER						
19	2200 7225 16		2	2	2	2	2	2	2	2	2	2	2	2	2	2	2	2	2	2	2	2	2	2	2	2	2	2	2	2	2	2	2	2	WASHER						
20	6224 1829 00		1	1	1	1	1	1	1	1	1	1	1	1	1	1	1	1	1	1	1	1	1	1	1	1	1	1	1	1	1	1	1	1	PULLEY						
20	6224 1811 00			1																															1	PULLEY					
20	2202 7299 17																																		1	PULLEY					
21	6224 1621 00		1	1	1	1	1	1	1	1	1	1	1	1	1	1	1	1	1	1	1	1	1	1	1	1	1	1	1	1	1	1	1	1	SPACER						
22	6224 1814 00		1																																1	PULLEY					
22	6224 1815 00			1																																PULLEY					
22	6224 1807 00				1																															PULLEY					
22	6224 1692 00											1				1																				1	PULLEY				
22	2202 7299 18												1				1																			PULLEY					
22	6224 1688 00													1																						PULLEY					
22	6224 1703 00																																			1	PULLEY				
23	6244 1701 00		1	1	1	1	1	1	1	1	1	1	1	1	1	1	1	1	1	1	1	1	1	1	1	1	1	1	1	1	1	1	1	1	1	SPACER					
23	6224 1827 00																																			1	1	1	SPACER		
24	2200 6605 35		3			3			3																												BELT				
24	2200 6605 22			3																																	BELT				
24	2200 6604 07				3																																BELT				
24	6214 6223 00											3					3																				BELT				
24	6214 6165 00												3					3																			BELT				
24	2200 6605 22													3					3																		BELT				
24	6214 6223 00																																				3	BELT			
24	6214 6165 00																																				3	BELT			
24	2200 6605 35																																				3	BELT			
25	6216 1588 00		1	1	1	1	1	1	1	1	1	1	1	1	1	1	1	1	1	1	1	1	1	1	1	1	1	1	1	1	1	1	1	1	1	ELECTRIC MOTOR					
25	6226 1602 00											1	1	1	1	1	1	1	1	1	1	1	1	1	1	1	1	1	1	1	1	1	1	1	1	1	ELECTRIC MOTOR				
25	6216 1699 00																																				1	1	1	ELECTRIC MOTOR	
25	6216 1649 00																																					1	1	1	ELECTRIC MOTOR

TAB. 9			Q.tà - Qty - Q.té - Anz. - Cant.																								Staffa porta motore elettrico compressore a vite - Trasmissione / Screw compressor and electric motor metal support-Transmission / Étrier supporte moteur électrique compresseur a vis - Transmission / Schraubenkompressor-und Elektromotorstütze Riemetrieb / Estribo soporte motor eléctrico compresor de tornillo - Transmisión por							
			HP 25 / kW 18,5								HP 30 / kW 22								HP 40 / kW 30															
Rif. N. Ref. No Nr. Ref. Bild Nr. Rif. N.	N. ordinaz. Part. num. Nr. Piéce Teil num. Codigo	Note-Note-Note- Anm. - Nota	4152 0067 10	4152 0067 11	4152 0067 12	4152 0067 13	4152 0067 14	4152 0067 15	4152 0067 16	4152 0067 17	4152 0067 18	4152 0067 19	4152 0067 20	4152 0067 21	4152 0067 22	4152 0067 23	4152 0067 24	4152 0067 25	4152 0067 26	4152 0067 27	4152 0067 31	4152 0067 32	4152 0067 33	4152 0067 34	4152 0067 35	4152 0067 36	4152 0067 28	4152 0067 29	4152 0067 30	DESCRIZIONE - DESCRIPTION - DESIGNATION - BESCHREIBUNG - DESIGNACION				
26	2202 9543 02		1	1	1	1	1	1	1	1	1	1	1	1	1	1	1	1	1	1	1	1	1	1	1	1	1					SUPPORT		
26	2202 9543 01																											1	1	1			SUPPORT	
27	2202 9525 00		1	1	1	1	1	1	1	1	1	1	1	1	1	1	1	1	1	1	1	1	1	1	1	1	1	1	1	1	1		STIRRUP	
28	0392 1100 23		2	2	2	2	2	2	2	2	2	2	2	2	2	2	2	2	2	2	2	2	2	2	2	2	2	2	2	2	2		PUFFER	
29	0147 1359 03		2	2	2	2	2	2	2	2	2	2	2	2	2	2	2	2	2	2	2	2	2	2	2	2	2	2	2	2	2		SCREW	
30	0333 4232 00		2	2	2	2	2	2	2	2	2	2	2	2	2	2	2	2	2	2	2	2	2	2	2	2	2	2	2	2	2		WASHER	
31	0300 0274 17		2	2	2	2	2	2	2	2	2	2	2	2	2	2	2	2	2	2	2	2	2	2	2	2	2	2	2	2	2		WASHER	
32	0300 0274 17		1	1	1	1	1	1	1	1	1	1	1	1	1	1	1	1	1	1	1	1	1	1	1	1	1	1	1	1	1		WASHER	
33	0333 4232 00		1	1	1	1	1	1	1	1	1	1	1	1	1	1	1	1	1	1	1	1	1	1	1	1	1	1	1	1	1		WASHER	
34	0147 1379 03		1	1	1	1	1	1	1	1	1	1	1	1	1	1	1	1	1	1	1	1	1	1	1	1	1	1	1	1	1		SCREW	
34	0147 1372 03																											1	1	1			SCREW	
35	0291 1185 34		4	4	4	4	4	4	4	4	4	4	4	4	4	4	4	4	4	4	4	4	4	4	4	4	4	4	4	4	4		NUT	
36	0147 1476 03		1	1	1	1	1	1	1	1	1	1	1	1	1	1	1	1	1	1	1	1	1	1	1	1	1	1	1	1	1		SCREW	
37	6275 6143 10		1	1	1	1	1	1	1	1	1	1	1	1	1	1	1	1	1	1	1	1	1	1	1	1	1	1	1	1	1		PANEL	
37	6275 6144 10																											1	1	1			PANEL	
38	6245 3451 00																												1	1	1			INSULATION



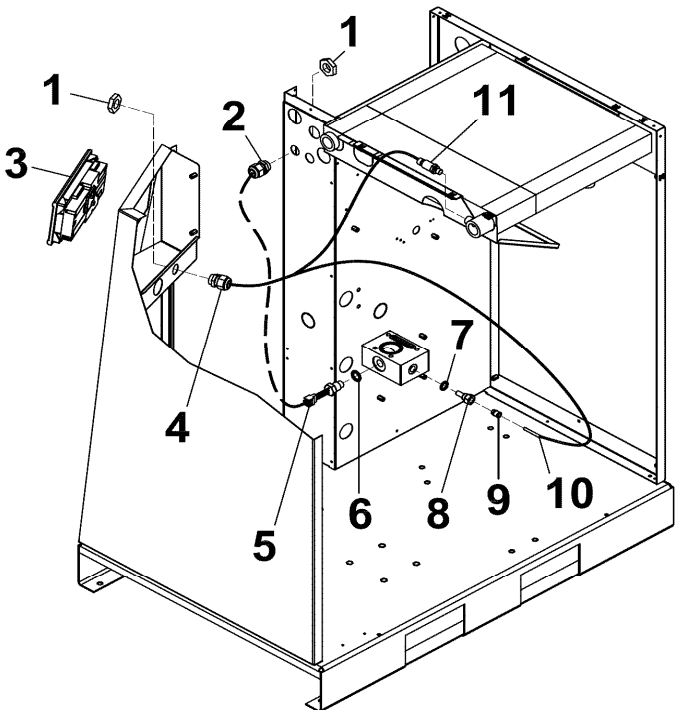








### NO DRYER





# TAB. 12

Q.tà - Qty - Q.té - Anz. - Cant.

Sensore di temperatura-sensore di pressione / Temperature sensor-  
pressure sensor / Sonde thermique-capteur de pression / Temperatur  
sensor-Drucksensor / Sensor de temperatura-sensor de presión

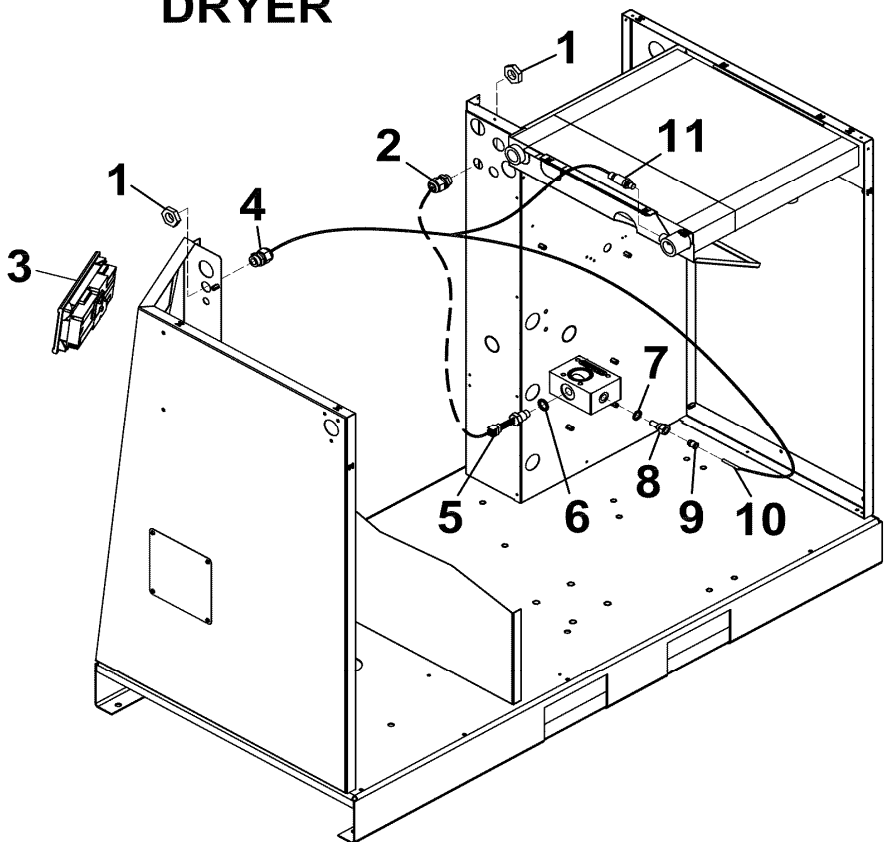
HP 25 / kW 18,5

HP 30 / kW 22

HP 40 / kW 30

Rif. N. Ref. No Nr. Ref. Bild Nr. Rif. N.	N. ordinaz. Part. num. Nr. Piece Teil num. Codigo	Note-Note- Anm. - Nota	4152 0066 00	4152 0066 01	4152 0066 02	4152 0067 10	4152 0067 11	4152 0067 12	4152 0066 09	4152 0066 10	4152 0066 11	4152 0066 21	4152 0066 22	4152 0067 19	4152 0067 20	4152 0067 21	4152 0067 31	4152 0067 32	4152 0066 18	4152 0066 19	4152 0066 20	4152 0067 28	4152 0067 29	4152 0067 30	DESCRIZIONE - DESCRIPTION - DESIGNATION - BESCHREIBUNG - DESIGNACION
1	0697 9809 54		3	3	3	3	3	3	3	3	3	3	3	3	3	3	3	3	3	3	3	3	3	3	NUT
2	0698 5141 22		2	2	2	2	2	2	2	2	2	2	2	2	2	2	2	2	2	2	2	2	2	2	CABLE GLAND
3	2236 1065 44		1	1	1	1	1	1						1	1	1	1	1	1	1	1	1	1	1	ELECTRONIC CARD
3	1900 0713 75											1	1												ELECTRONIC CARD
4	0698 5141 17		1	1	1	1	1	1	1	1	1	1	1	1	1	1	1	1	1	1	1	1	1	1	CABLE GLAND
4	0698 5148 72		1	1	1	1	1	1	1	1	1	1	1	1	1	1	1	1	1	1	1	1	1	1	MULTIPLE SEALING
5	1089 0637 16		1	1	1	1	1	1	1	1	1	1	1	1	1	1	1	1	1	1	1	1	1	1	TEMPERATURE SWITCH
6	0661 1000 39		1	1	1	1	1	1	1	1	1	1	1	1	1	1	1	1	1	1	1	1	1	1	WASHER
7	0661 1000 40		1	1	1	1	1	1	1	1	1	1	1	1	1	1	1	1	1	1	1	1	1	1	WASHER
8	2202 2108 38		1	1	1	1	1	1	1	1	1	1	1	1	1	1	1	1	1	1	1	1	1	1	NIPPLE
9	2200 7097 11		1	1	1	1	1	1	1	1	1	1	1	1	1	1	1	1	1	1	1	1	1	1	NIPPLE
10	2202 9543 10		1	1	1	1	1	1	1	1	1	1	1	1	1	1	1	1	1	1	1	1	1	1	TEMPERATURE SENSOR - CONNECTOR
11	2236 1087 47		1	1	1	1	1	1	1	1	1	1	1	1	1	1	1	1	1	1	1	1	1	1	PRESSURE SENSOR

# DRYER



TAB. 13

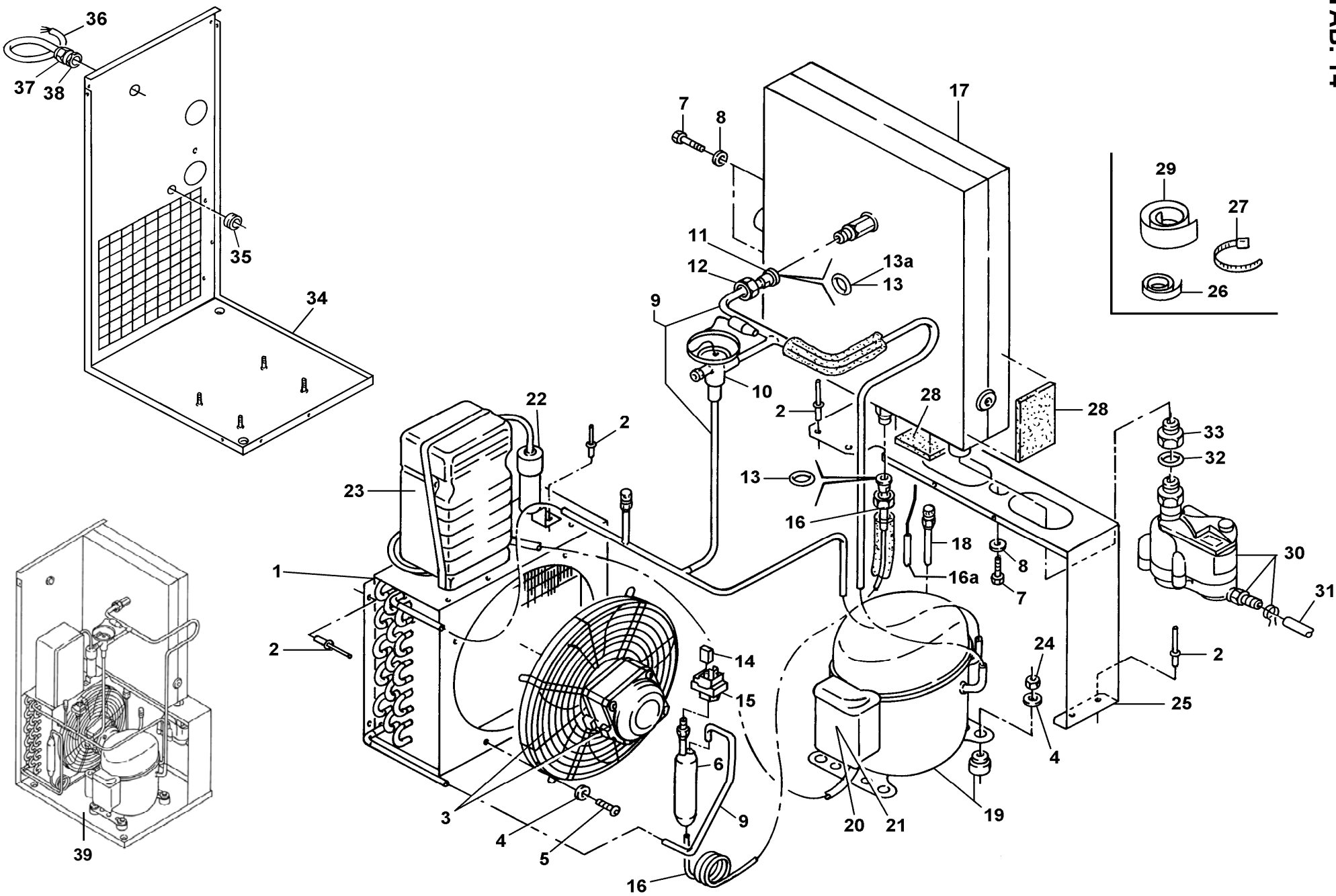
Q.tà - Qty - Q.té - Anz. - Cant.

Sensore di temperatura-sensore di pressione / Temperature sensor-  
 pressure sensor / Sonde thermique-  
 capteur de pression / Temperatur  
 sensor-Drucksensor / Sensor de  
 temperatura-sensor de presión

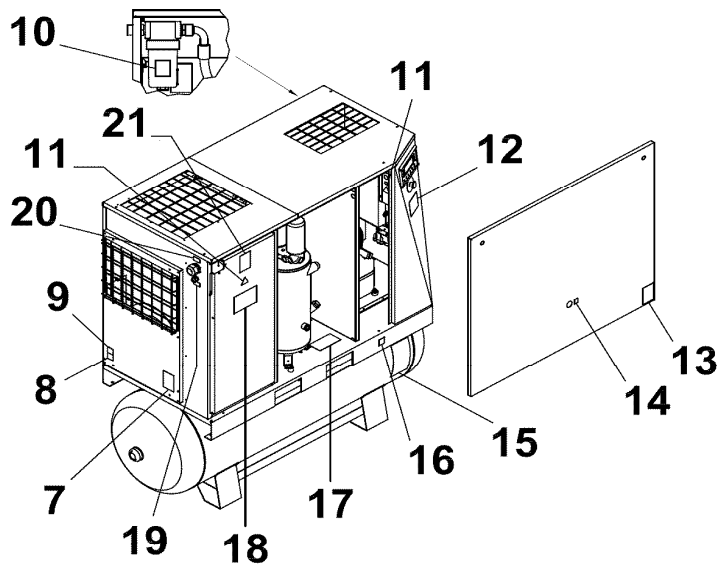
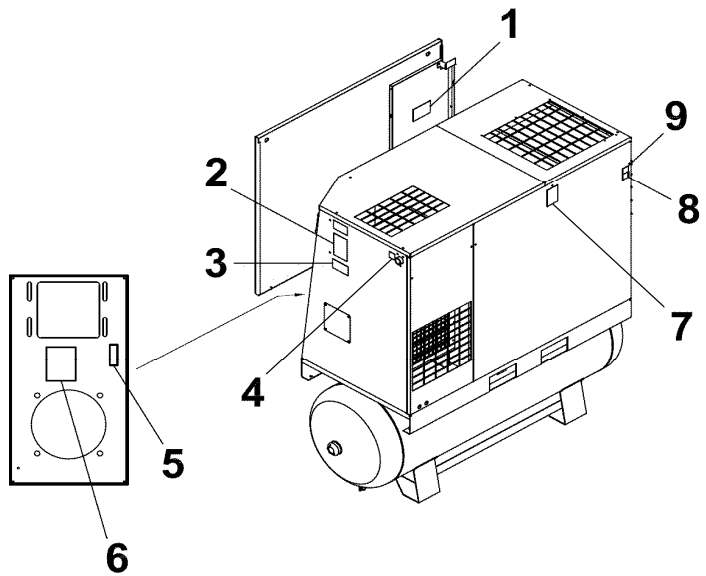
HP 25 / kW 18,5

HP 30 / kW 22

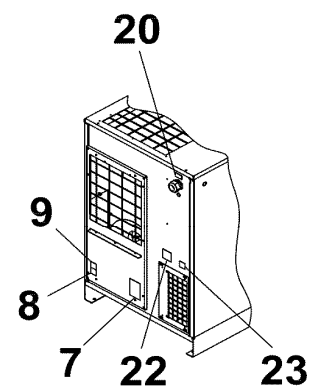
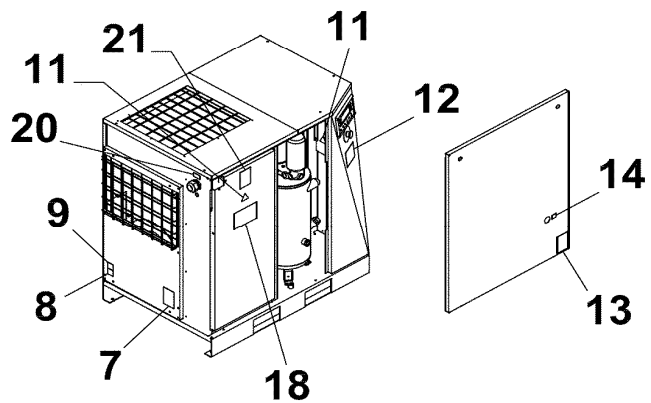
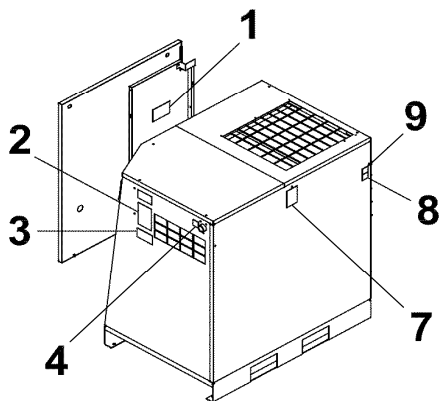
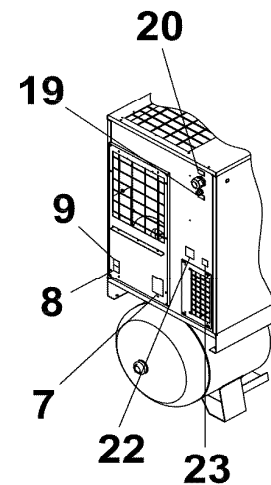
Rif. N. Ref. No Nr. Réf. Bild Nr. Rif. N.	N. ordinaz. Part. num. Nr. Pièce Teil num. Codigo	Nota-Note-Note- Anm.-Nota	4152 0066 03	4152 0066 04	4152 0066 05	4152 0066 06	4152 0066 07	4152 0066 08	4152 0067 13	4152 0067 14	4152 0067 15	4152 0067 16	4152 0067 17	4152 0067 18	4152 0066 12	4152 0066 13	4152 0066 14	4152 0066 15	4152 0066 16	4152 0066 17	4152 0066 23	4152 0066 24	4152 0066 25	4152 0066 26	4152 0067 22	4152 0067 23	4152 0067 24	4152 0067 25	4152 0067 26	4152 0067 27	4152 0067 33	4152 0067 34	4152 0067 35	4152 0067 36	DESCRIZIONE - DESCRIPTION - DESIGNATION - BESCHREIBUNG - DESIGNACION							
1	0697 9809 54		3	3	3	3	3	3	3	3	3	3	3		3	3	3	3	3	3	3	3	3	3	3	3	3	3	3	3	3	3	3	3				NUT				
2	0698 5141 22		2	2	2	2	2	2	2	2	2	2	2		2	2	2	2	2	2	2	2	2	2	2	2	2	2	2	2	2	2	2	2	2		CABLE GLAND					
3	2236 1065 44		1	1	1	1	1	1	1	1	1	1	1		1	1	1	1	1	1	1	1	1	1	1	1	1	1	1	1	1	1	1	1			ELECTRONIC CARD					
3	1900 0713 75																			1	1	1	1	1	1	1	1	1	1	1	1	1	1	1		ELECTRONIC CARD						
4	0698 5141 17		1	1	1	1	1	1	1	1	1	1	1		1	1	1	1	1	1	1	1	1	1	1	1	1	1	1	1	1	1	1	1		CABLE GLAND						
4	0698 5148 72		1	1	1	1	1	1	1	1	1	1	1		1	1	1	1	1	1	1	1	1	1	1	1	1	1	1	1	1	1	1	1		MULTIPLE SEALING						
5	1089 0637 16		1	1	1	1	1	1	1	1	1	1	1		1	1	1	1	1	1	1	1	1	1	1	1	1	1	1	1	1	1	1	1		TEMPERATURE SWITCH						
6	0661 1000 39		1	1	1	1	1	1	1	1	1	1	1		1	1	1	1	1	1	1	1	1	1	1	1	1	1	1	1	1	1	1	1		WASHER						
7	0661 1000 40		1	1	1	1	1	1	1	1	1	1	1		1	1	1	1	1	1	1	1	1	1	1	1	1	1	1	1	1	1	1	1		WASHER						
8	2202 2108 38		1	1	1	1	1	1	1	1	1	1	1		1	1	1	1	1	1	1	1	1	1	1	1	1	1	1	1	1	1	1	1	1		NIPPLE					
9	2200 7097 11		1	1	1	1	1	1	1	1	1	1	1		1	1	1	1	1	1	1	1	1	1	1	1	1	1	1	1	1	1	1	1	1		NIPPLE					
10	2202 9543 10		1	1	1	1	1	1	1	1	1	1	1		1	1	1	1	1	1	1	1	1	1	1	1	1	1	1	1	1	1	1	1	1		TEMPERATURE SENSOR - CONNECTOR					
11	2236 1087 47		1	1	1	1	1	1	1	1	1	1	1		1	1	1	1	1	1	1	1	1	1	1	1	1	1	1	1	1	1	1	1	1		PRESSURE SENSOR					







### INVERTER











**TAB. 16**

**KIT DI MANUTENZIONE / SERVICE KIT / KIT DE MAINTENANCE / WARTUNGSAUFBAUSATZ / KIT DE MANTENIMIENTO**

<b>Kit " A " ( 2000 Ore / Hours / Heures / Betriebsstunden / Horas de servicio )</b>	
Codice / Code / Codice / Kode /Codigo	<b>FORMULA ( HP 25 - kW 18,5 )</b>
2200902615	

<b>Kit " A " ( 2000 Ore / Hours / Heures / Betriebsstunden / Horas de servicio )</b>	
Codice / Code / Codice / Kode /Codigo	<b>GENESIS / FORMULA E ( HP 25 - kW 18,5 )</b>
2200902612	

<b>Kit " A " ( 2000 Ore / Hours / Heures / Betriebsstunden / Horas de servicio )</b>	
Codice / Code / Codice / Kode /Codigo	<b>FORMULA ( HP 30 / 40 - kW 22 / 30 )</b>
2200902608	

<b>Kit " A " ( 2000 Ore / Hours / Heures / Betriebsstunden / Horas de servicio )</b>	
Codice / Code / Codice / Kode /Codigo	<b>GENESIS / FORMULA E ( HP 30 - kW 22 )</b>
2200902607	

<b>Kit " B " ( 8000 Ore / Hours / Heures / Betriebsstunden / Horas de servicio )</b>	
Codice / Code / Codice / Kode /Codigo	<b>FORMULA ( HP 25 - 30 - 40 / kW 18,5 - 22 - 30 )</b> <b>GENESIS ( HP 25 - 30 / kW 18,5 - 22 )</b>
2200902610	

<b>Tab. huile / Tab. oil / Tab. aceite / Tabella olio / Abb. Öl</b>	
<b>FluidTech</b>	
<b>5 L</b>	<b>6215 7159 00</b>
<b>20 L</b>	<b>6215 7160 00</b>
<b>209 L</b>	<b>6215 7161 00</b>

**TAB. 16**

**KIT DI MANUTENZIONE / SERVICE KIT / KIT DE MAINTENANCE / WARTUNGSAUFBAUSATZ / KIT DE MANTENIMIENTO**

<b>Kit</b> <i>Filtro aria, olio / Air-Oil filter / Filtre air, huile / Luftfilter, Ölfilter / Filtro aire, aceite</i>	
Codice / Code / Codice / Kode / Código	<b>FORMULA ( HP 25 - 30 - 40 / kW 18,5 - 22 - 30 )</b> <b>GENESIS ( HP 25 - 30 / kW 18,5 - 22 )</b>
6229030400	

<b>Kit</b> <i>Filtro disoleatore / Separator oil / Filtre déshuileur / Ölabscheiderfilter / Separador de aceite</i>	
Codice / Code / Codice / Kode / Código	<b>FORMULA ( HP 25 / kW 18,5 )</b> <b>GENESIS ( HP 25 / kW 18,5 )</b>
6229030200	

<b>Kit</b> <i>Filtro disoleatore / Separator oil / Filtre déshuileur / Ölabscheiderfilter / Separador de aceite</i>	
Codice / Code / Codice / Kode / Código	<b>FORMULA ( HP 30 - 40 / kW 22 - 30 )</b> <b>GENESIS ( HP 30 / kW 22 )</b>
6229030300	

<b>Kit</b> <i>Valvola termostatica / Thermostatic valve / Valve thermostatique / Thermostatisches Ventil / V álvula termostática )</i>	
Codice / Code / Codice / Kode / Código	<b>FORMULA ( HP 25 - 30 - 40 / kW 18,5 - 22 - 30 )</b> <b>GENESIS ( HP 25 - 30 / kW 18,5 - 22 )</b>
2200599825	

<b>Kit</b> <i>Valvola di minima pressione / Minimum pressure valve / Soupape à minimum de pression / Mindestdruckventil / V álvula de presión minima )</i>	
Codice / Code / Codice / Kode / Código	<b>FORMULA ( HP 25 - 30 - 40 / kW 18,5 - 22 - 30 )</b> <b>GENESIS ( HP 25 - 30 / kW 18,5 - 22 )</b>
2200900944	

<b>Kit</b> <i>Valvola di non ritorno / No-return valve / Clapet anti-retour / R ückschlagventil / V álvula antiretorno )</i>	
Codice / Code / Codice / Kode / Código	<b>FORMULA ( HP 25 - 30 - 40 / kW 18,5 - 22 - 30 )</b> <b>GENESIS ( HP 25 - 30 / kW 18,5 - 22 )</b>
6229031700	

<b>Kit</b> <i>Valvola di scarico / Unloading valve / Soupape de décharge / Entlastungsventil / V álvula de descarga )</i>	
Codice / Code / Codice / Kode / Código	<b>FORMULA ( HP 25 - 30 - 40 / kW 18,5 - 22 - 30 )</b> <b>GENESIS ( HP 25 - 30 / kW 18,5 - 22 )</b>
2901000201	

**Tabella cingie / Tab. driving belt / Tab. courroie / Abb. Treibriemen / Tab. correa trasmisora**

HP / kW	bar / psi	50 Hz		60 Hz		NOTE		
		Codice / Code / Code / Kode / Codice	Q.tà Q.ty Q.té Anz. Cant.	Codice / Code / Code / Kode / Codice	Q.tà Q.ty Q.té Anz. Cant.			
25 / 18,5	8	2200 6605 35	3					
	10	2200 6605 22	3					
	13	2200 6604 07	3					
30 / 22	8	6214 6223 00	3					
	10	6214 6165 00	3					
	13	2200 6605 22	3					
40 / 30	8	6214 6223 00	3					
	10	6214 6165 00	3					
	13	2200 6605 35	3					

